



**McAllister®**  
Under-Mount Kitchen Sink  
**UCL3322R**

**Features**

- Under-mount
- No faucet holes to accommodate either wall-mount or countertop faucets
- 5", 7"-deep double bowls
- 3-3/4" drain opening
- Stainless steel with luster finish
- SilentShield technology
- 19-gauge stainless steel
- Lifetime limited warranty

**Recommended Products/Accessories**

7400 Sink Strainer  
K-6139 Sponge Caddy

**Included Components**

Product consists of:  
91915 Hardware Kit

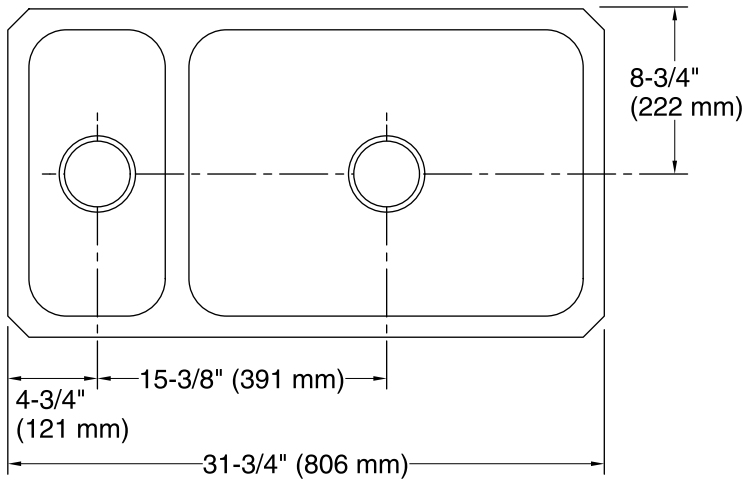


**Codes/Standards**

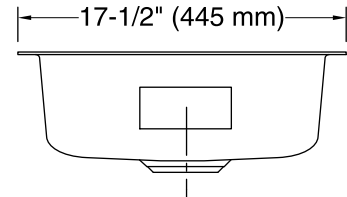
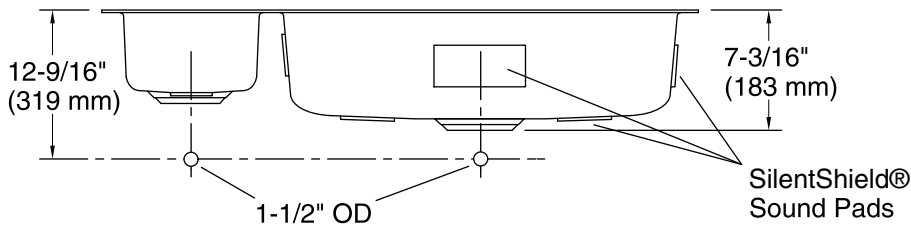
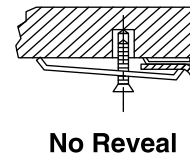
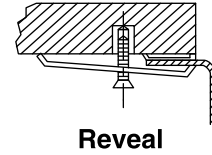
ASME A112.19.3/CSA B45.4

**STERLING® Warranty - Stainless Steel Sinks**

See website for detailed warranty information.



*Mounting bracket assembly provides a secure installation.*



**Technical Information**

All product dimensions are nominal.

- Bowl configuration: High-low
- Installation: Under-mount
- Bowl area (Left): Length: 7-1/4" (184 mm)  
Width: 15-1/4" (387 mm)  
Bowl depth: 5" (127 mm)  
Water depth: 5" (127 mm)
- Bowl area (Right): Length: 21" (533 mm)  
Width: 15-1/4" (387 mm)  
Bowl depth: 7" (178 mm)  
Water depth: 7" (178 mm)
- Drain hole: 3-5/8" (92 mm)
- Template: 1154796-7, required, included

**Notes**

- Install this product according to the installation instructions.
- Measure your actual product for roughing-in details.