

CLOSET BOLT COVER CAP

440/442 SERIES

SmartCap™

| | |
|------------------|-----------------|
| ITEM # SUBMITTED | _____ |
| JOB NAME | _____ |
| LOCATION | _____ |
| ENGINEER | _____ |
| CONTRACTOR | _____ |
| PO# | _____ TAG _____ |

SPECIFICATION

The SmartCap closet bolt cover is designed to hide the portion of bolt extending through the toilet base. A unique base with external threads is included. Once installed and secured to toilet base, SmartCap provides a sanitary seal to the toilet's base. Cap does not become separated from base.

MATERIAL

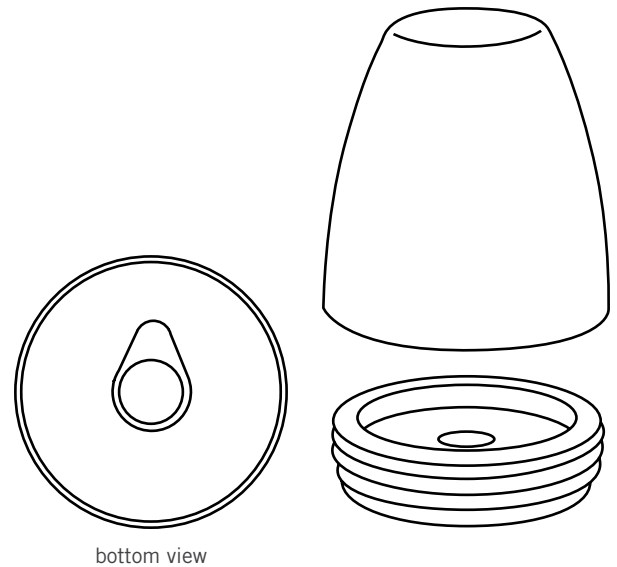
Base & cap: polypropylene

INSTALLATION

Position and install toilet over closet flange with bolts extending up through the mounting holes in base of toilet. Place SmartCap base over closet bolt and secure toilet to the floor as normal. Thread cap onto base. Trim bolt if necessary to 2½" or less.



442-2W



Patent #7,658,580 B1
Made In USA

Create Item Number

44A-2B

e.g. 442-2W: cover cap, 2/bag in white

CONNECTION SIZE A

0 = cover cap with 425-PB 2½" closet bolts, 2/bag

2 = cover cap, 2/bag

COLOR B

W = white

B = bone