



**T&S BRASS AND BRONZE WORKS, INC.**  
 2 Saddleback Cove / P.O. Box 1088  
 Travelers Rest, SC 29690

Model No.  
**1171-X**

Item No.

Travelers Rest, SC: 800-476-4103 • Simi Valley, CA: 800-423-0150 • Fax: 864-834-3518 • www.tsbrass.com

This Space for Architect/Engineer Approval

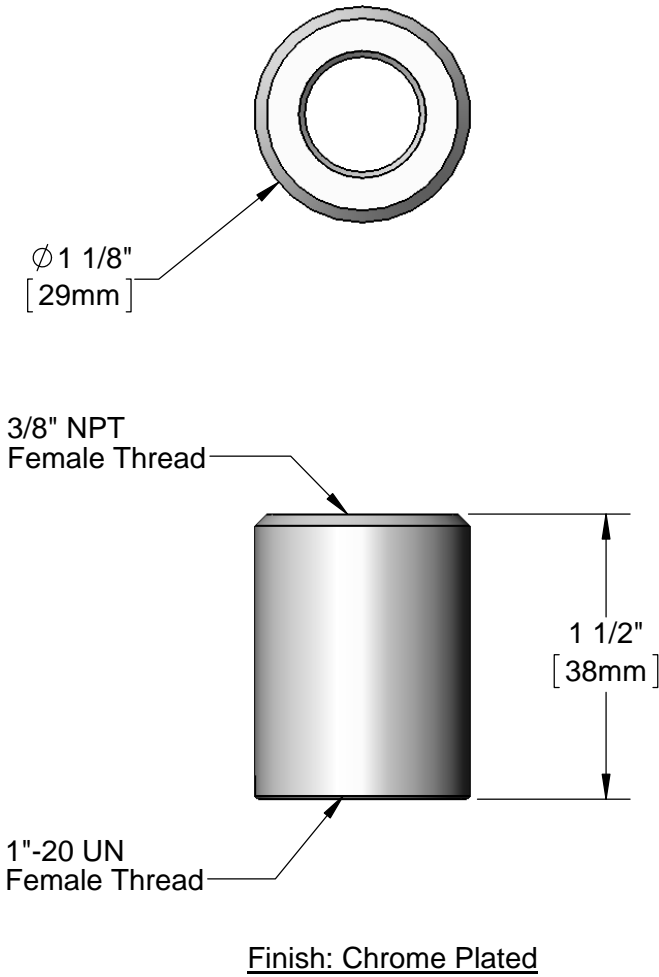
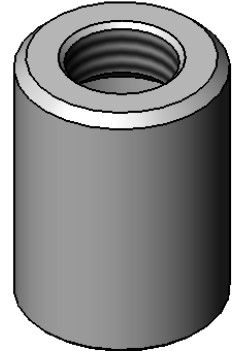
Job Name \_\_\_\_\_ Date \_\_\_\_\_

Model Specified \_\_\_\_\_ Quantity \_\_\_\_\_

Customer/Wholesaler \_\_\_\_\_

Contractor \_\_\_\_\_

Architect/Engineer \_\_\_\_\_



- Note:
1. 1171-X is Intended for Use On Faucets w/ Sidespray Hoses Where Rigid Gooseneck is Desired
  2. B-0413 Swivel to Rigid Adapter Will Not Function Where Sidespray Hose is Present

Product Specifications:  
 Swivel to Rigid Adapter for Faucets Using Diverter Sidespray Hoses

Drawn <b>KJG</b>	Checked <b>DMH</b>	Approved <b>JHB</b>
Scale: <b>1:1</b>		Date: <b>10/29/13</b>