



**ADA Compliant**

*This Space for Architect/Engineer Approval*

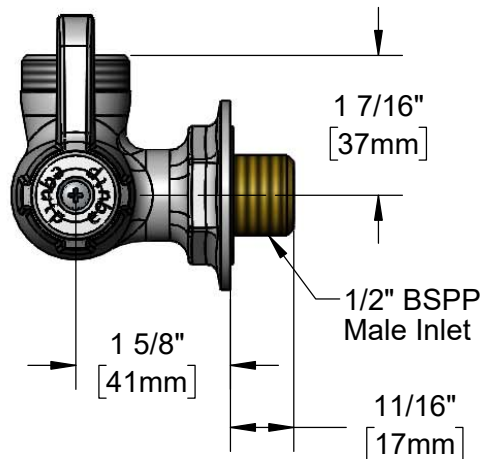
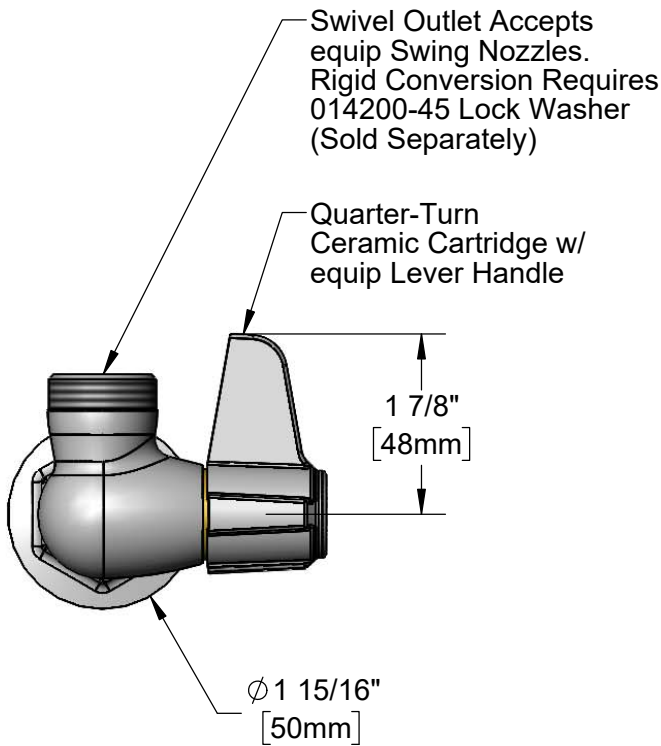
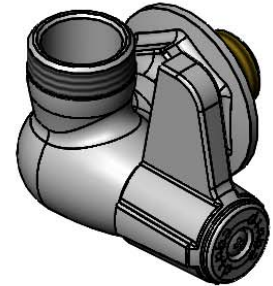
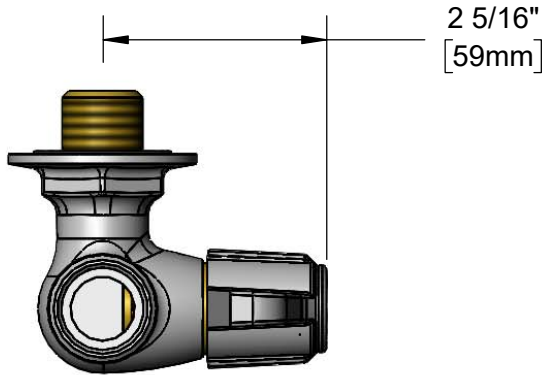
Job Name \_\_\_\_\_ Date \_\_\_\_\_

Model Specified \_\_\_\_\_ Quantity \_\_\_\_\_

Customer/Wholesaler \_\_\_\_\_

Contractor \_\_\_\_\_

Architect/Engineer \_\_\_\_\_



Rough-In Requirement:  
 $\phi 1$  [25mm] Mounting Hole

Model Number  
**5F-1WLB00**

Product Specifications:  
**Single Supply Wall Mount Faucet, Ceramic Cartridge, Lever Handle & 1/2" BSPP Male Inlet**

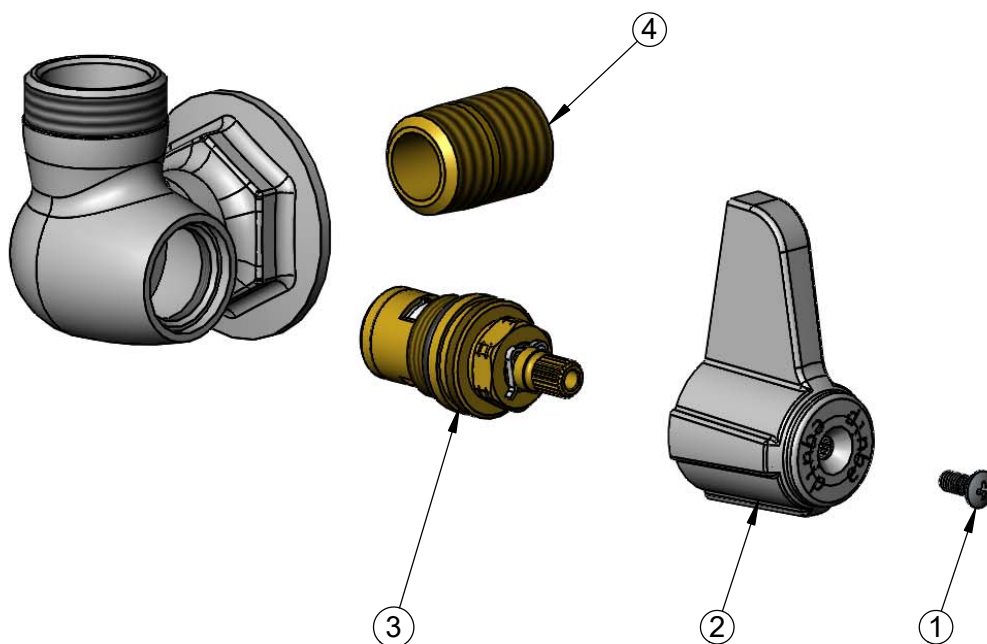
Product Compliance:  
ASME A112.18.1 / CSA B125.1  
NSF 61 - Section 9  
NSF 372 (Low Lead Content)  
ANSI A117.1 (ADA)

equip  
Foodservice  
Accessories



2 Saddleback Cove, P.O. Box 1088  
Travelers Rest, South Carolina 29690  
Phone: 800.891.4808 Fax: 800.868.0084  
equip.tsbrass.com

ITEM NO.	SALES NO.	DESCRIPTION
1	013849-45	Screw, 4mm Metric (10)
2	5-HDL-L	equip Lever Handle
3	013787-45	equip Quarter-Turn Ceramic Cartridge, RTC
4	019047-45	Supply Nipple, 1/2" x 1/2" BSPP



Model Number

**5F-1WLB00**

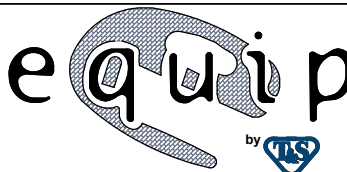
Product Specifications:

Single Supply Wall Mount Faucet, Ceramic Cartridge,  
Lever Handle & 1/2" BSPP Male Inlet

Product Compliance:

ASME A112.18.1 / CSA B125.1  
NSF 61 - Section 9  
NSF 372 (Low Lead Content)  
ANSI A117.1 (ADA)

equip  
Foodservice  
Accessories



2 Saddleback Cove, P.O. Box 1088  
Travelers Rest, South Carolina 29690  
Phone: 800.891.4808 Fax: 800.868.0084  
equip.tsbrass.com