



**T&S BRASS AND BRONZE WORKS, INC.**  
 2 Saddleback Cove / P.O. Box 1088  
 Travelers Rest, SC 29690

Model No.  
**B-0407-03**

Item No.

Travelers Rest, SC: 800-476-4103 • Simi Valley, CA: 800-423-0150 • Fax: 864-834-3518 • www.tsbrass.com

This Space for Architect/Engineer Approval

Job Name \_\_\_\_\_ Date \_\_\_\_\_

Model Specified \_\_\_\_\_ Quantity \_\_\_\_\_

Customer/Wholesaler \_\_\_\_\_

Contractor \_\_\_\_\_

Architect/Engineer \_\_\_\_\_



$\varnothing 1 \frac{11}{16}$ "  
 [43mm]



3/8" NPT Atmospheric  
 Vacuum Breaker Not For  
 Continuous Pressure

071X  
 9" Nozzle w/  
 Stream Regulator  
 Outlet

8 9/16"  
 [218mm]

9 1/8"  
 [232mm]

4 13/16"  
 [122mm]

Swivel Piece Fits  
 Standard T&S  
 Swivel Outlet

Product Specifications:  
 Vacuum Breaker Swing Nozzle w/ Stream Regulator Outlet and 8 5/8"  
 Spread

Product Compliance:  
 ASME A112.18.1 / CSA B125.1  
 NSF 61 - Section 9  
 NSF 372 (Low Lead Content)  
 ASSE 1001 (VB)



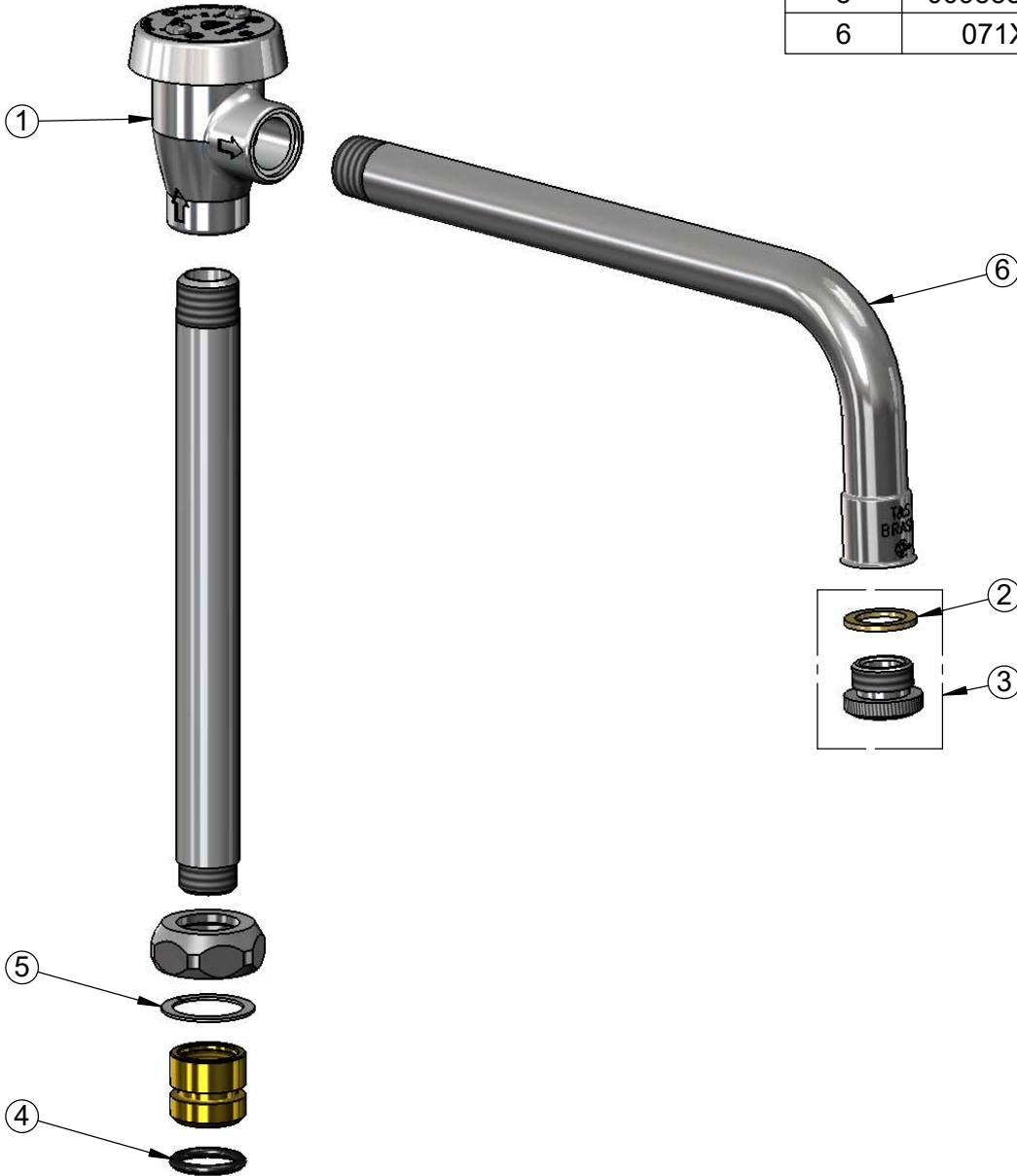
**T&S BRASS AND BRONZE WORKS, INC.**  
 2 Saddleback Cove / P.O. Box 1088  
 Travelers Rest, SC 29690

Model No.  
**B-0407-03**

Item No.

Travelers Rest, SC: 800-476-4103 • Simi Valley, CA: 800-423-0150 • Fax: 864-834-3518 • www.tsbrass.com

ITEM NO.	SALES NO.	DESCRIPTION
1	B-0968	3/8" NPT Vacuum Breaker
2	001043-45	Washer
3	B-LT	Stream Regulator Outlet
4	001074-45	O-Ring
5	009538-45	Swivel Washer
6	071X	9" Nozzle



Product Specifications:  
 Vacuum Breaker Swing Nozzle w/ Stream Regulator Outlet and 8 5/8" Spread

Product Compliance:  
 ASME A112.18.1 / CSA B125.1  
 NSF 61 - Section 9  
 NSF 372 (Low Lead Content)  
 ASSE 1001 (VB)