



T&S BRASS AND BRONZE WORKS, INC.

2 Saddleback Cove / P.O. Box 1088
Travelers Rest, SC 29690

Model No.

B-2443-VF10

Item No.

Travelers Rest, SC: 800-476-4103 • Simi Valley, CA: 800-423-0150 • Fax: 864-834-3518 • www.tsbrass.com



ADA Compliant

This Space for Architect/Engineer Approval

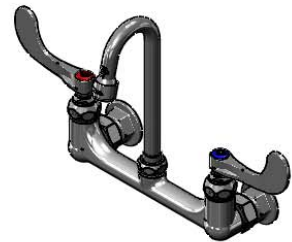
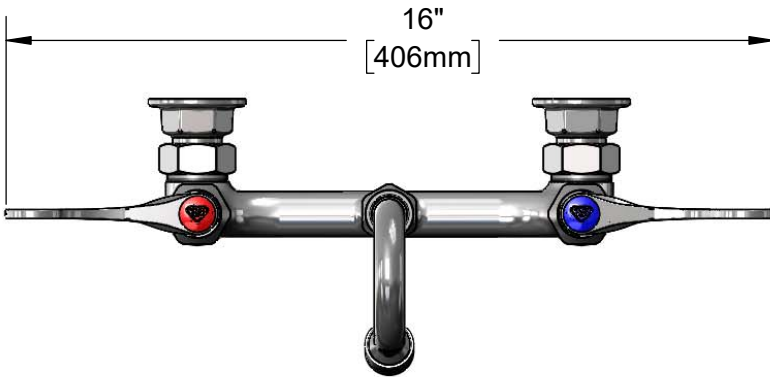
Job Name _____ Date _____

Model Specified _____ Quantity _____

Customer/Wholesaler _____

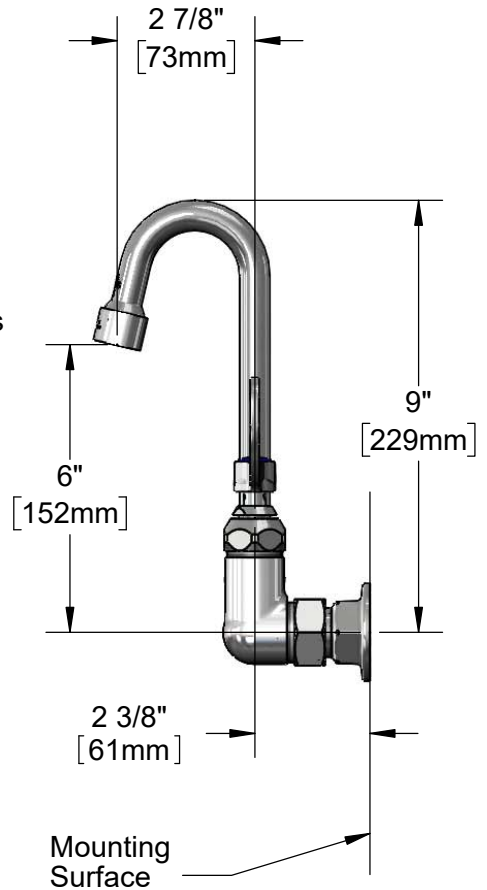
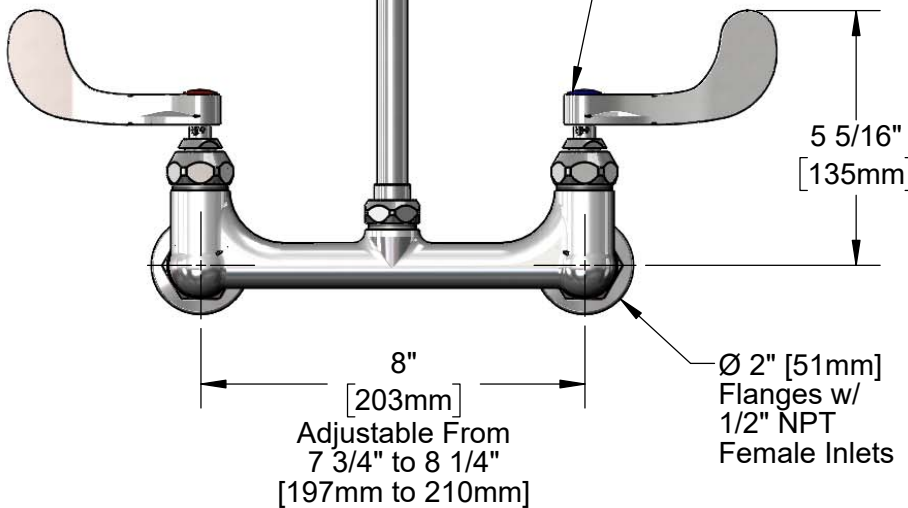
Contractor _____

Architect/Engineer _____



Swivel Gooseneck w/
B-0199-06-F10
1.0 GPM VR Aerator.
Converts to Rigid w/
014200-45
Lock Washer (Included).

Quarter-Turn Eterna
Cartridges w/
Spring Checks &
4" Wrist Action Handles
w/ Color Coded Indexes



Product Specifications:

8" Wall Mount Mixing Faucet, Quarter-Turn Eterna Cartridges w/
Spring Checks, 4" Wrist Action Handles, Swivel/Rigid Gooseneck w/
1.0 GPM VR Aerator & 1/2" NPT Female Inlets

Product Compliance:

ASME A112.18.1 / CSA B125.1
NSF 61 - Section 9
NSF 372 (Low Lead Content)
ANSI A117.1 (ADA)



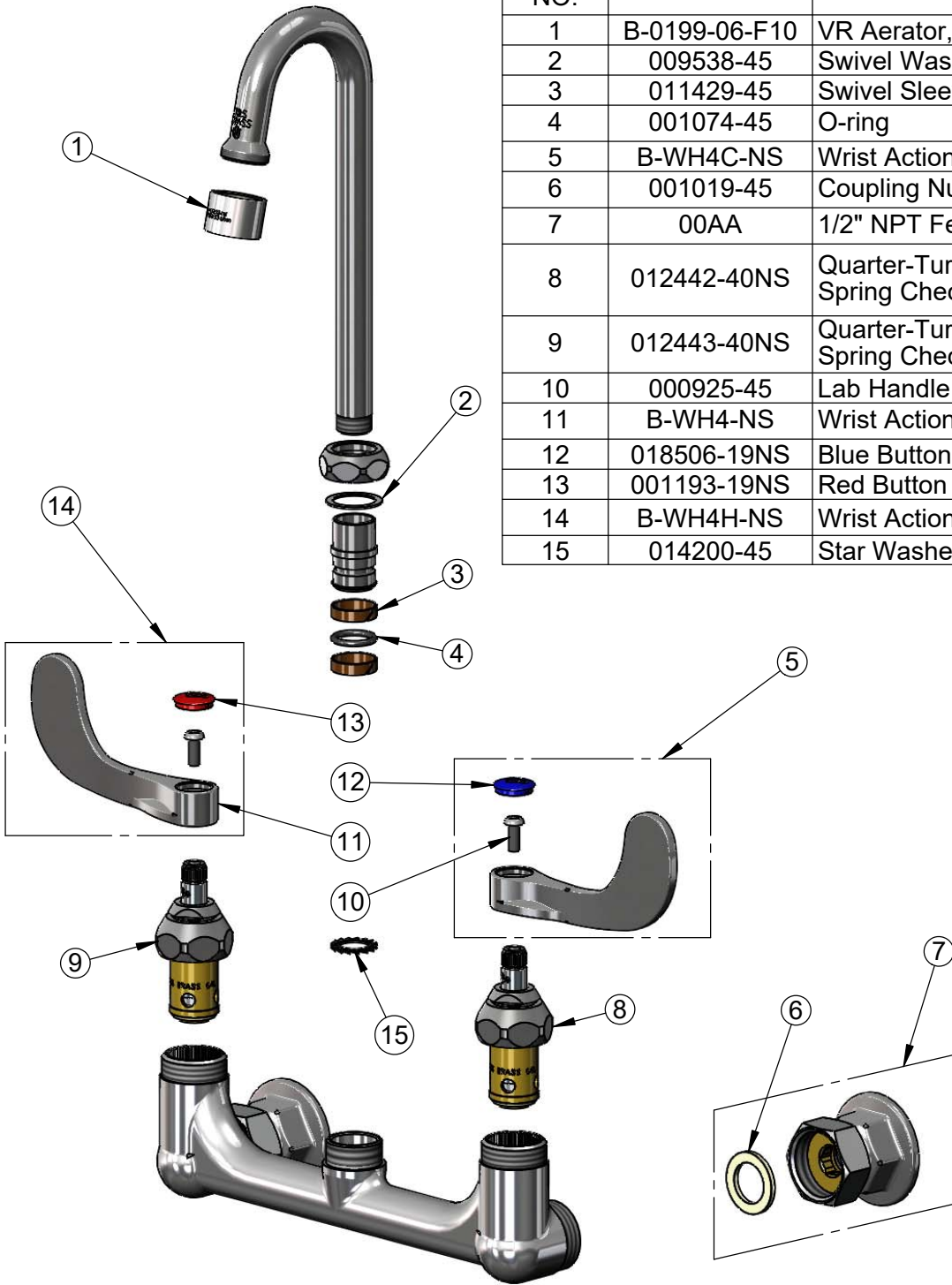
T&S BRASS AND BRONZE WORKS, INC.
 2 Saddleback Cove / P.O. Box 1088
 Travelers Rest, SC 29690

Model No.
B-2443-VF10

Item No.

Travelers Rest, SC: 800-476-4103 • Simi Valley, CA: 800-423-0150 • Fax: 864-834-3518 • www.tsbrass.com

ITEM NO.	SALES NO.	DESCRIPTION
1	B-0199-06-F10	VR Aerator, 1.0 GPM, 55/64-27 Female
2	009538-45	Swivel Washer
3	011429-45	Swivel Sleeves (2)
4	001074-45	O-ring
5	B-WH4C-NS	Wrist Action Handle, Blue Index & Screw
6	001019-45	Coupling Nut Washer
7	00AA	1/2" NPT Female Eccentric Flange
8	012442-40NS	Quarter-Turn Eterna Cartridge, LTC w/ Spring Check
9	012443-40NS	Quarter-Turn Eterna Cartridge, RTC w/ Spring Check
10	000925-45	Lab Handle Screw
11	B-WH4-NS	Wrist Action Handle (New Style)
12	018506-19NS	Blue Button Index, Press-in
13	001193-19NS	Red Button Index, Press-in
14	B-WH4H-NS	Wrist Action Handle, Red Index & Screw
15	014200-45	Star Washer, Anti-Rotation



015425-45
 Vandal Resistant Key
 (Included)

Product Specifications:
 8" Wall Mount Mixing Faucet, Quarter-Turn Eterna Cartridges w/
 Spring Checks, 4" Wrist Action Handles, Swivel/Rigid Gooseneck w/
 1.0 GPM VR Aerator & 1/2" NPT Female Inlets

Product Compliance:
 ASME A112.18.1 / CSA B125.1
 NSF 61 - Section 9
 NSF 372 (Low Lead Content)
 ANSI A117.1 (ADA)