



T&S BRASS AND BRONZE WORKS, INC.
 2 Saddleback Cove / P.O. Box 1088
 Travelers Rest, SC 29690

Model No.
B-2710-LH

Item No.

Travelers Rest, SC: 800-476-4103 • Simi Valley, CA: 800-423-0150 • Fax: 864-834-3518 • www.tsbrass.com



ADA Compliant

This Space for Architect/Engineer Approval

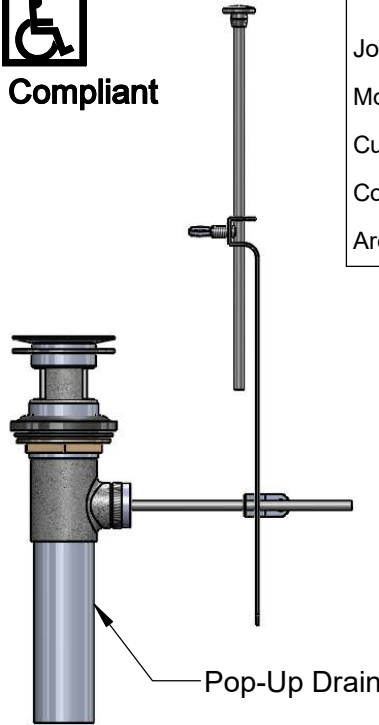
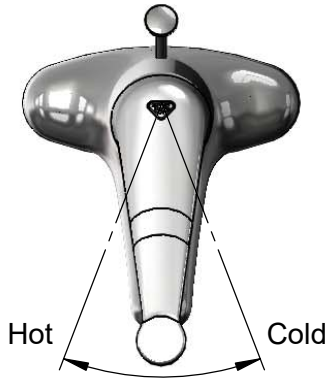
Job Name _____ Date _____

Model Specified _____ Quantity _____

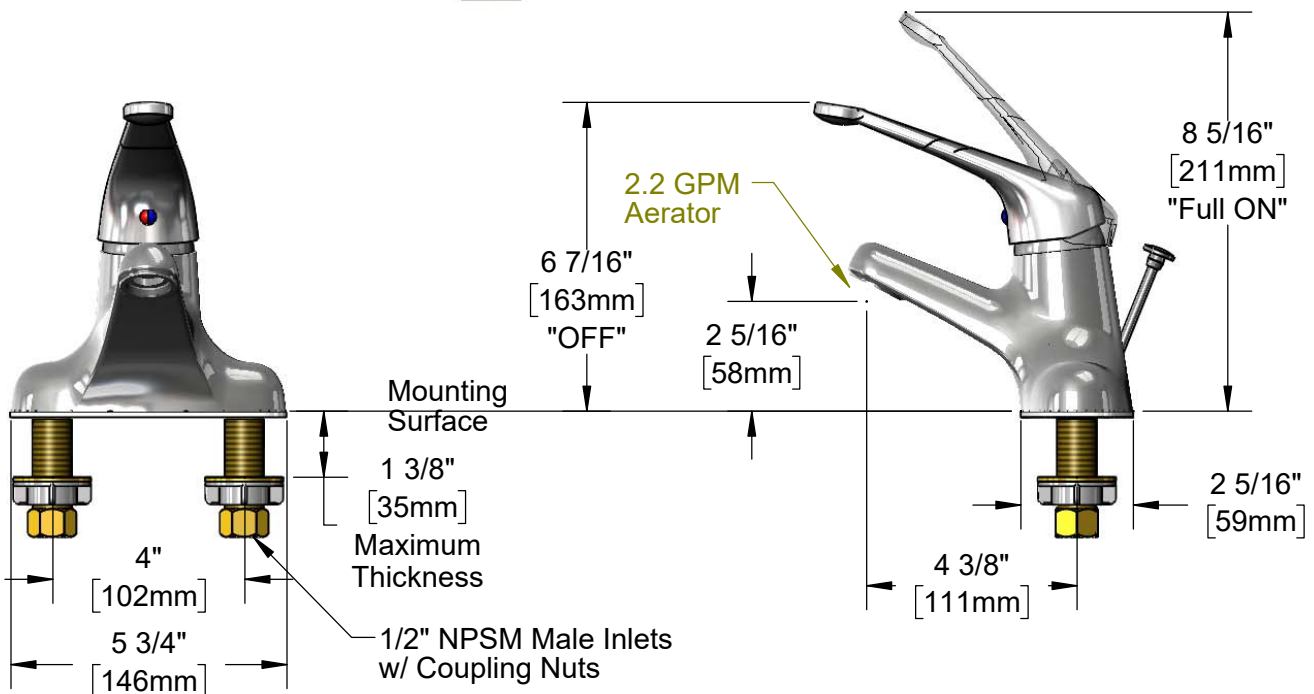
Customer/Wholesaler _____

Contractor _____

Architect/Engineer _____



Pop-Up Drain



Rough-In Requirement:
 (3) ϕ 1" [25mm] Mounting Holes
 Pop-Up Drain: Fits Sinks with ϕ 1 7/16" [36mm] to ϕ 1 3/4" [44mm] Drain Hole

Product Specifications:
 4" Deck Mount Single Lever Faucet, Ceramic Cartridge, Long Handle, Temperature Limit Stop, 2.2 GPM Aerator, Pop-Up Drain & 1/2" NPSM Male Inlets

Product Compliance:
 ASME A112.18.1 / CSA B125.1
 NSF 61 - Section 9
 NSF 372 (Low Lead Content)
 ANSI A117.1 (ADA)



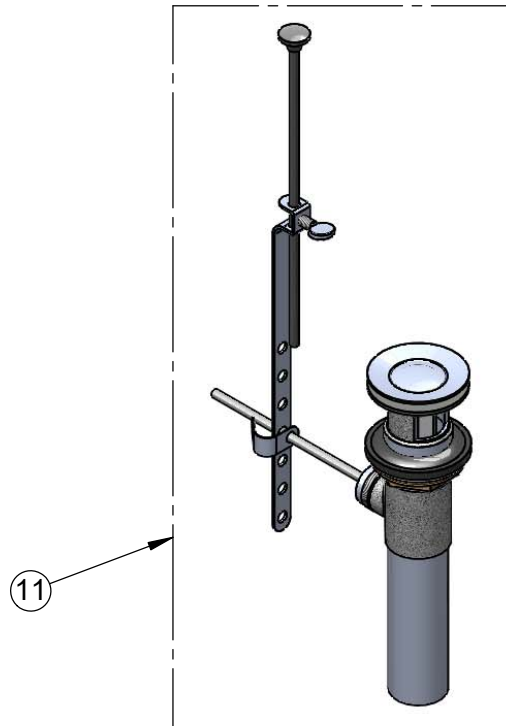
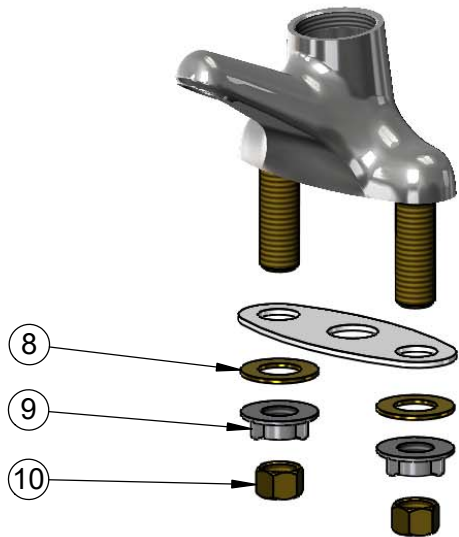
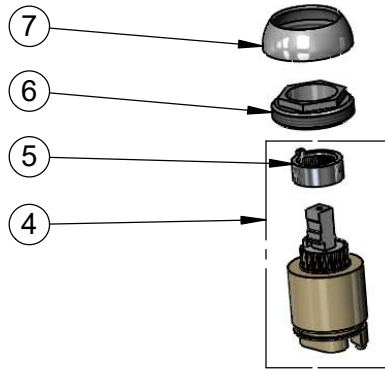
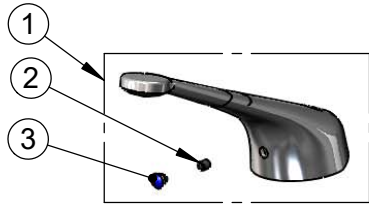
T&S BRASS AND BRONZE WORKS, INC.
 2 Saddleback Cove / P.O. Box 1088
 Travelers Rest, SC 29690

Model No.
B-2710-LH

Item No.

Travelers Rest, SC: 800-476-4103 • Simi Valley, CA: 800-423-0150 • Fax: 864-834-3518 • www.tsbrass.com

| ITEM NO. | SALES NO. | DESCRIPTION |
|----------|-----------|----------------------------------|
| 1 | 013429-45 | B-2710 Long Handle, Single Lever |
| 2 | 016675-45 | Set Screw |
| 3 | 014173-45 | Index, Temperature |
| 4 | 013111-45 | Ceramic Cartridge |
| 5 | 015400-45 | Temperature Limit Stop |
| 6 | 016663-45 | Locking Nut |
| 7 | 016661-45 | Trim Ring |
| 8 | 000999-45 | Brass Lock Washer |
| 9 | 016673-45 | Shank Nut |
| 10 | 000958-20 | Coupling Nut |
| 11 | B-0898 | Pop-Up Drain |
| 17 | 014167-45 | Deck Gasket |



Product Specifications:
 4" Deck Mount Single Lever Faucet, Ceramic Cartridge, Long Handle, Temperature Limit Stop, 2.2 GPM Aerator, Pop-Up Drain & 1/2" NPSM Male Inlets

Product Compliance:
 ASME A112.18.1 / CSA B125.1
 NSF 61 - Section 9
 NSF 372 (Low Lead Content)
 ANSI A117.1 (ADA)