



T&S BRASS AND BRONZE WORKS, INC.

2 Saddleback Cove / P.O. Box 1088
Travelers Rest, SC 29690

Model No.

B-2866-VF05

Item No.

Travelers Rest, SC: 800-476-4103 • Simi Valley, CA: 800-423-0150 • Fax: 864-834-3518 • www.tsbrass.com

This Space for Architect/Engineer Approval

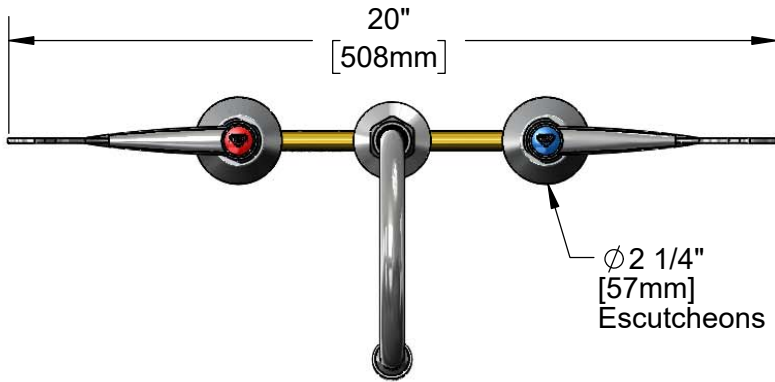
Job Name _____ Date _____

Model Specified _____ Quantity _____

Customer/Wholesaler _____

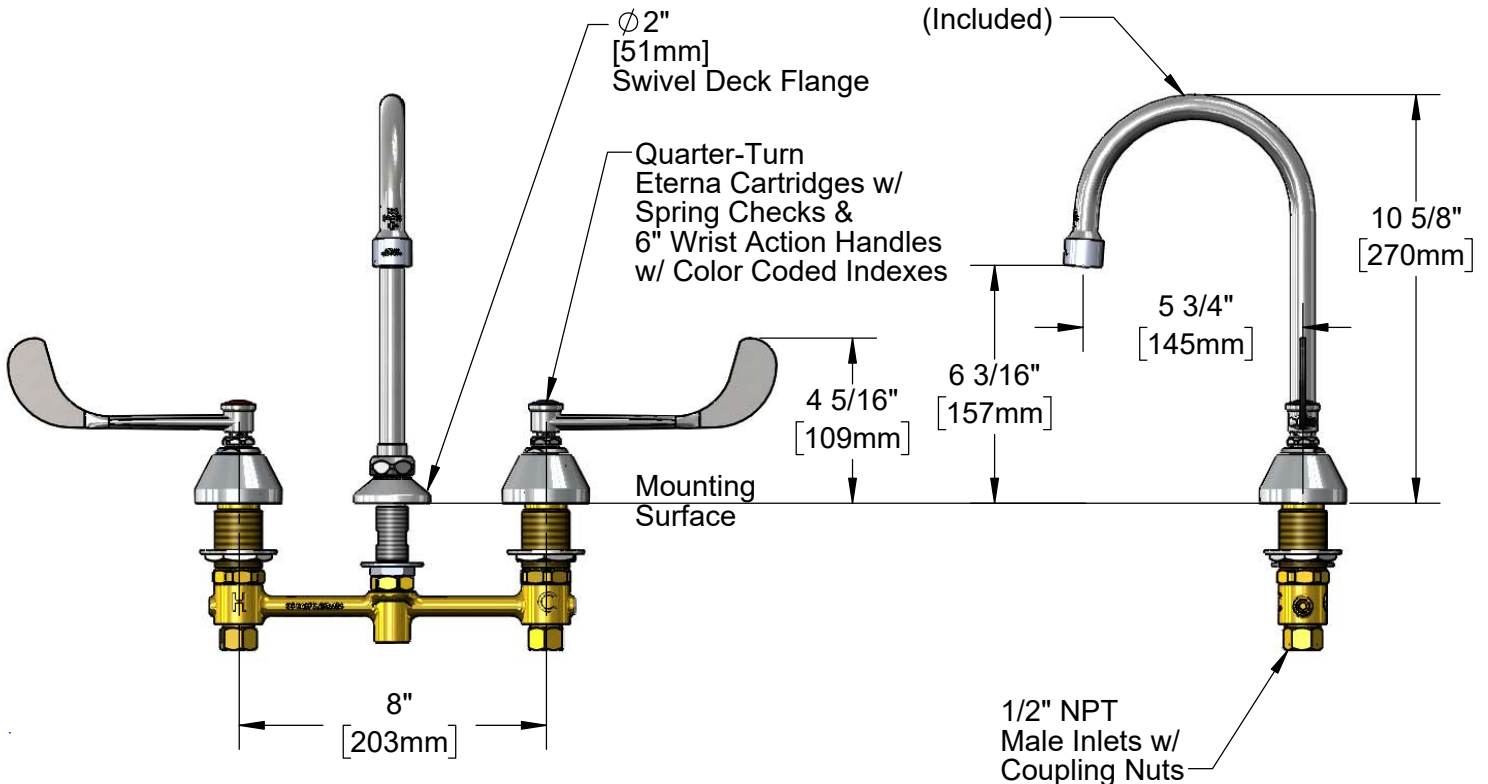
Contractor _____

Architect/Engineer _____



ADA Compliant

Swivel Gooseneck w/
B-0199-06-N05
VR 0.5 GPM Non-Aerated
Spray Device.
Rigid Conversion Requires
014200-45 Lock Washer
(Included)



Rough-In Requirement:
Center Shank: ϕ 1" [25mm] Mounting Hole
Hot/Cold Side: ϕ 1 1/2" [38mm] Mounting Holes

Product Specifications:
8" Concealed Widespread EasyInstall Faucet w/ 6" Wrist Action Handles, VR Screws, Quarter-Turn Eterna Cartridges w/ Spring Checks, 5 3/4" Swivel/Rigid Gooseneck w/ Vandal Resistant 0.5 GPM Non-Aerated Spray Device & 1/2" NPT Male Inlets

Product Compliance:
ASME A112.18.1 / CSA B125.1
NSF 61 - Section 9
NSF 372 (Low Lead Content)
ANSI A117.1 (ADA)



T&S BRASS AND BRONZE WORKS, INC.

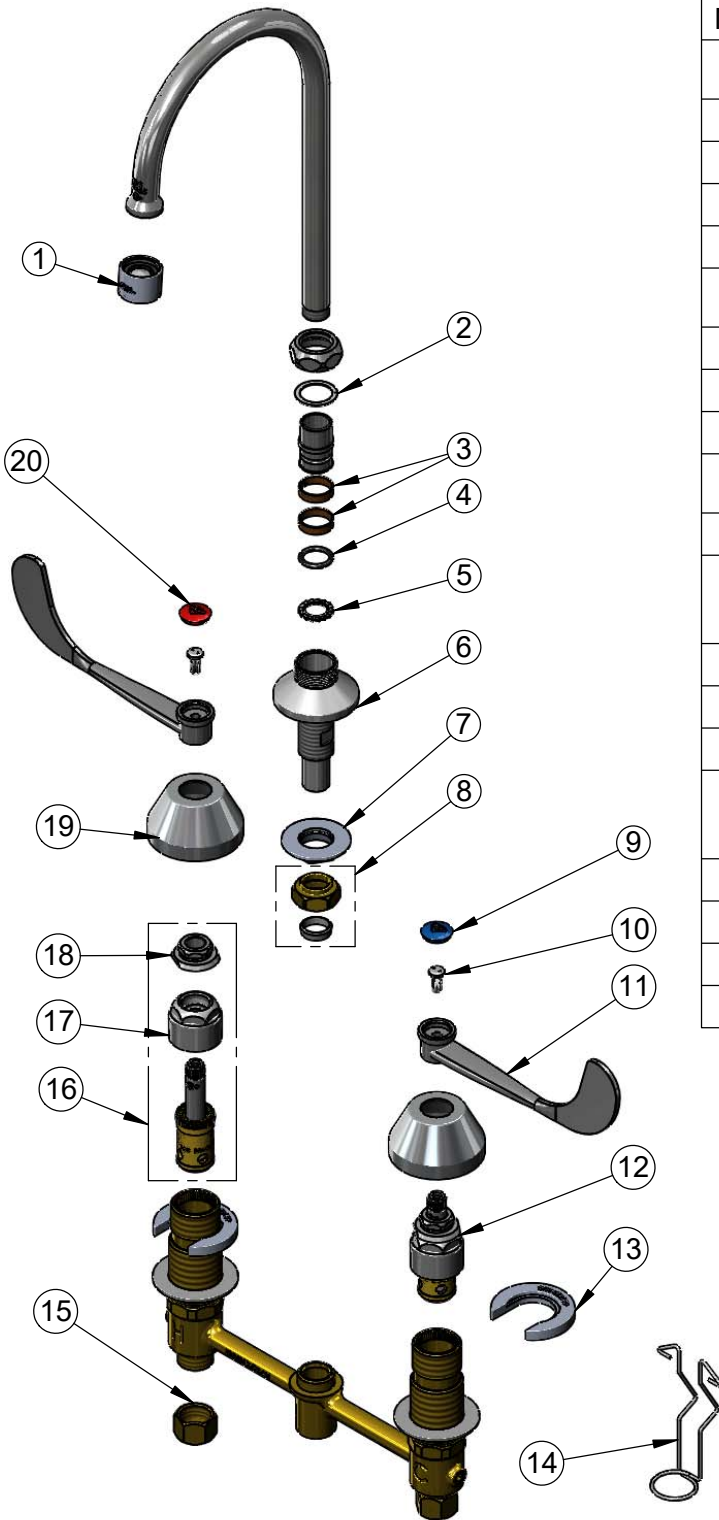
2 Saddleback Cove / P.O. Box 1088
Travelers Rest, SC 29690

Model No.

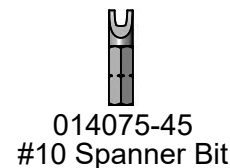
B-2866-VF05

Item No.

Travelers Rest, SC: 800-476-4103 • Simi Valley, CA: 800-423-0150 • Fax: 864-834-3518 • www.tsbrass.com



| ITEM NO. | SALES NO. | DESCRIPTION |
|----------|---------------|---|
| 1 | B-0199-06-N05 | 0.5 GPM VR Non-Aerated Spray Device, 55/64-27 Female |
| 2 | 009538-45 | Swivel Washer |
| 3 | 011429-45 | Swivel Sleeves (2) |
| 4 | 001074-45 | O-Ring |
| 5 | 014200-45 | Star Washer, Anti-Rotation |
| 6 | 016754-40NS | EasyInstall CWS Swivel Center (New Style) |
| 7 | 016742-45 | Center Flange Nut |
| 8 | 016745-45 | Compression Nut & Fitting |
| 9 | 018506-19NS | Blue Button Index, Press-in |
| 10 | VRS-2 | VR Wrist Action Handle Screw (2) w/ Spanner Bit |
| 11 | B-WH6 | 6" Wrist Action Handle |
| 12 | 016752-40NS | EasyInstall, CWS Quarter-Turn Eterna Cartridge w/ Spring Check, LTC |
| 13 | 016749-45 | Sidebody C-Washer |
| 14 | 016777-45 | CWS Hanger |
| 15 | 000958-20 | Coupling Nut |
| 16 | 016753-40NS | EasyInstall, CWS Quarter-Turn Eterna Cartridge w/ Spring Check, RTC |
| 17 | 016743-25 | CWS Eterna Bonnet |
| 18 | 009002-40NS | Packing Assembly (New Style) |
| 19 | 001257-40NS | Bell Escutcheon |
| 20 | 001193-19NS | Red Button Index, Press-in |



Product Specifications:

8" Concealed Widespread EasyInstall Faucet w/ 6" Wrist Action Handles, VR Screws, Quarter-Turn Eterna Cartridges w/ Spring Checks, 5 3/4" Swivel/Rigid Gooseneck w/ Vandal Resistant 0.5 GPM Non-Aerated Spray Device & 1/2" NPT Male Inlets

Product Compliance:

ASME A112.18.1 / CSA B125.1
NSF 61 - Section 9
NSF 372 (Low Lead Content)
ANSI A117.1 (ADA)