



**T&S BRASS AND BRONZE WORKS, INC.**  
 2 Saddleback Cove / P.O. Box 1088  
 Travelers Rest, SC 29690

Model No.  
**B-7245-04**

Item No.

Travelers Rest, SC: 800-476-4103 • Simi Valley, CA: 800-423-0150 • Fax: 864-834-3518 • www.tsbrass.com

This Space for Architect/Engineer Approval

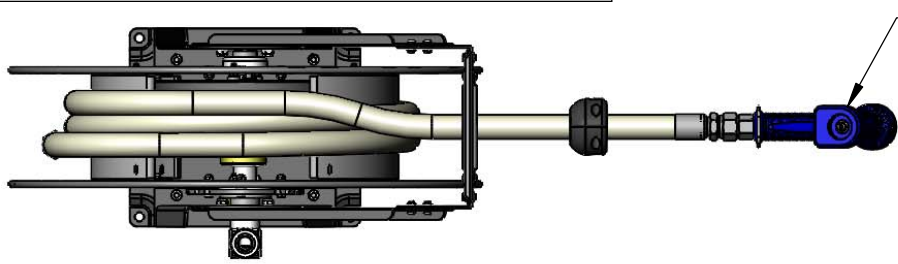
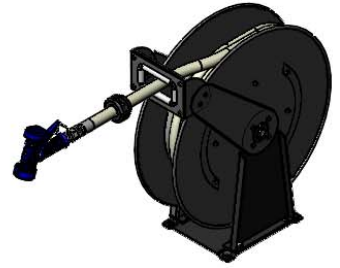
Job Name \_\_\_\_\_ Date \_\_\_\_\_

Model Specified \_\_\_\_\_ Quantity \_\_\_\_\_

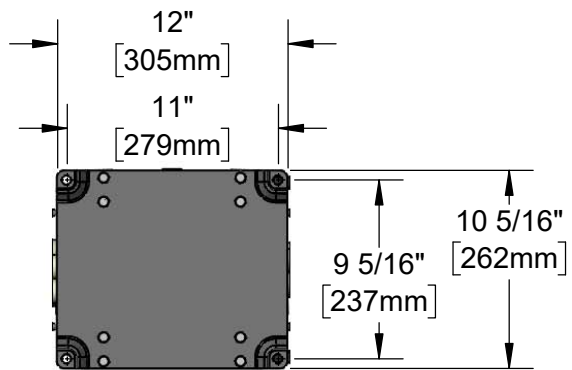
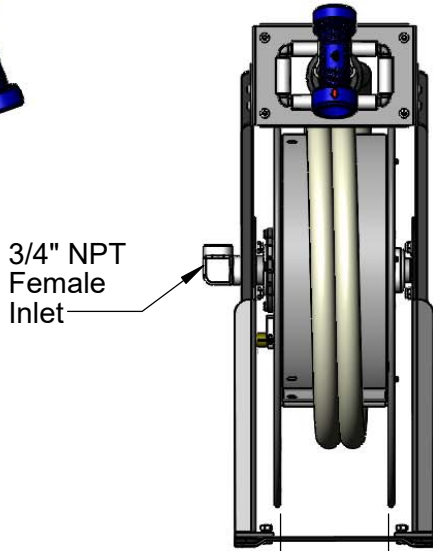
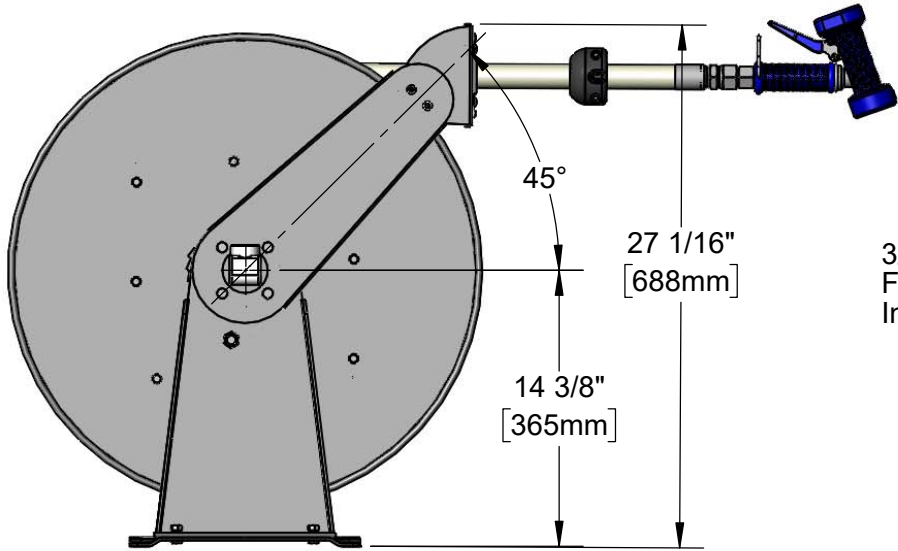
Customer/Wholesaler \_\_\_\_\_

Contractor \_\_\_\_\_

Architect/Engineer \_\_\_\_\_



MV-2516-44  
 Rear Trigger Water Gun  
 w/ Stainless Steel Body &  
 Royal Blue Rubber Cover



Product Specifications:  
 Epoxy Coated Open Hose Reel w/ 3/4" x 50' Creamery Hose, 9/16" Rear Trigger Water Gun & Double Arm Support

Product Compliance:  
 NSF 61 Exempt (Non-Potable)  
 2019 DOE PRSV Non-Compliant



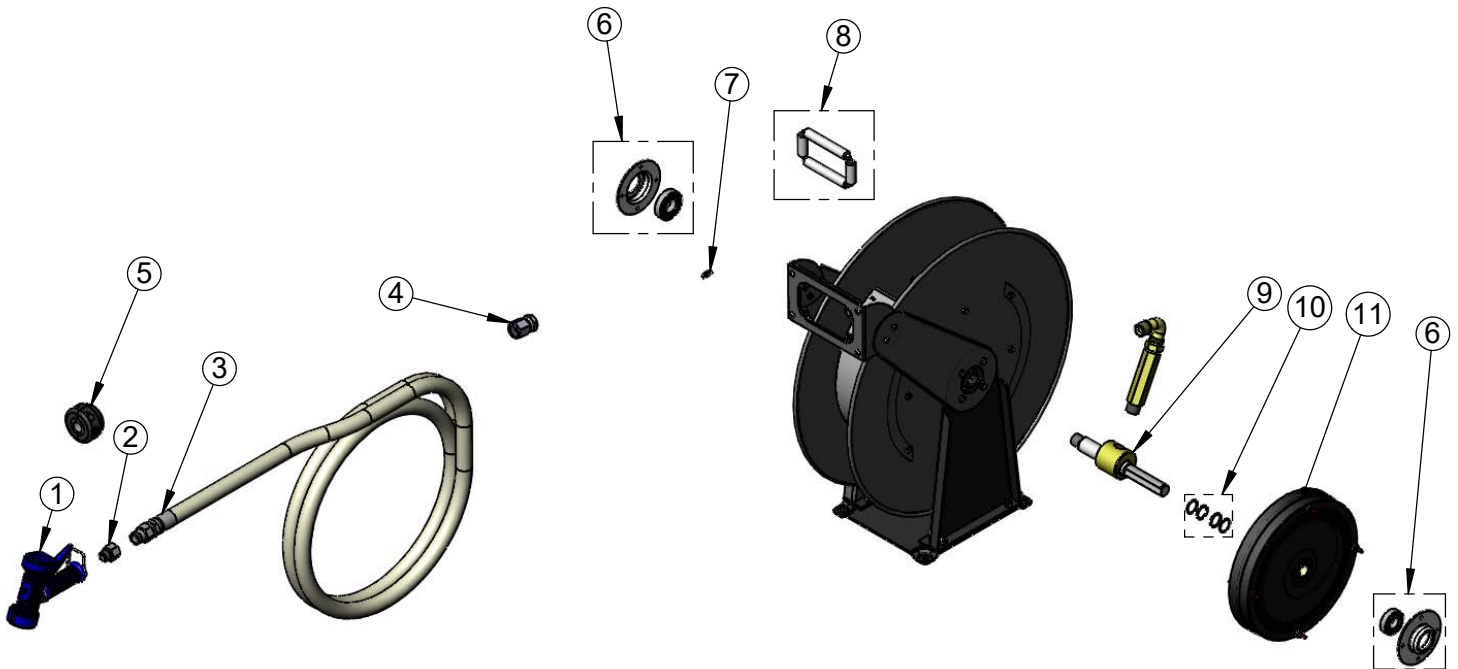
**T&S BRASS AND BRONZE WORKS, INC.**  
 2 Saddleback Cove / P.O. Box 1088  
 Travelers Rest, SC 29690

Model No.  
**B-7245-04**

Item No.

Travelers Rest, SC: 800-476-4103 • Simi Valley, CA: 800-423-0150 • Fax: 864-834-3518 • www.tsbrass.com

ITEM NO.	SALES NO.	DESCRIPTION
1	MV-2516-44	Rear Trigger Gun, 9/16" Orifice
2	006112-25	Adapter, 3/4" NPT Female x 1/2" NPT Male
3	004980-40	50' of 3/4" Creamery Hose
4	015713-45	Swivel Connector, 3/4" NPT Female x 3/4" NPT Female
5	014930-45	Hose Stop Repair Kit
6	014923-45	Bearing Repair Kit
7	014926-45	Ratchet Spring Repair Kit
8	014925-45	Roller Guide Kit
9	014928-45	Swivel Repair Kit
10	014929-45	O-Ring Repair Kit
11	014924-45	Spring Repair Kit



Product Specifications:  
 Epoxy Coated Open Hose Reel w/ 3/4" x 50' Creamery Hose, 9/16" Rear Trigger Water Gun & Double Arm Support

Product Compliance:  
 NSF 61 Exempt (Non-Potable)  
 2019 DOE PRSV Non-Compliant



# Epoxy Coated Retractable Hose Reels

## B-7245-04

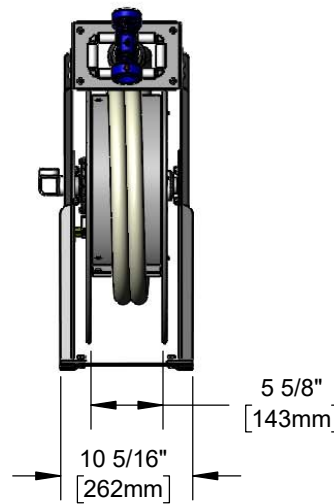
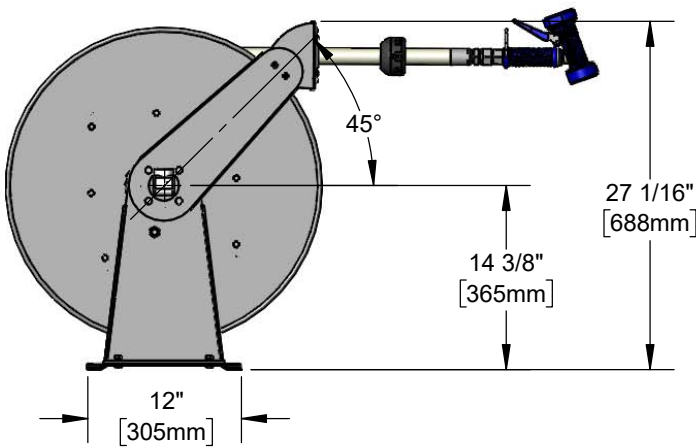
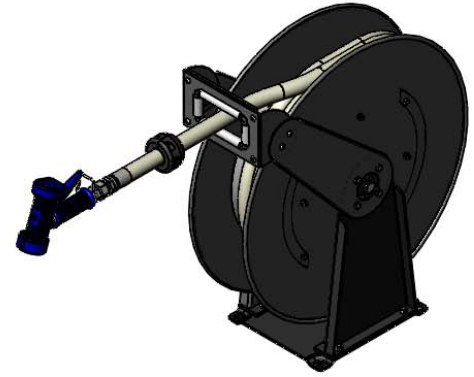
TAG:

### Heavy Duty Hose Reel

#### Architect/Engineering Specifications:

Open epoxy coated heavy duty hose reel, rear trigger water gun, 3/4" x 50' industrial grade white hose, ratcheting system, adjustable hose bumper and 3/4" NPT female inlet.

Job Name \_\_\_\_\_  
 Model Specified \_\_\_\_\_ Quantity \_\_\_\_\_  
 Variations Specified \_\_\_\_\_  
 Date \_\_\_\_\_



#### Features & Benefits:

- Open epoxy coated heavy duty hose reel
- Stainless steel rear trigger water gun with rubber cover and 9/16" orifice
- 3/4" x 50' industrial grade white hose rated to 300 PSI
- Ratcheting system holds the length of hose until a slight tug to retract automatically
- 3/4" NPT female inlet
- Adjustable hose bumper
- Material: Epoxy coated steel open reel & wall bracket and stainless steel water gun

#### Product Compliance:

- NSF 61 Exempt (Non-Potable)
- 2019 DOE PRSV Non-Compliant

**Warranty:** One Year (Limited)

#### Performance Data:

- Pressure: 20 - 125 psi
- Temperature: 40 °F - 200 °F
- Flow Rate: 11.00 GPM @ 60 psi

#### Optional Hose Reel Spray Valves

- B-0107 Spray Valve
- B-0108 Ergonomic Medium Flow Spray Valve
- B-0108-H Ergonomic High Flow Spray Valve
- EB-0107 High Flow Spray Valve
- EB-2322 Extended Spray Wand
- MV-2516-24 Stainless Steel Rear Trigger Water Gun
- MV-2522-24 Stainless Steel Front Trigger Water Gun
- MV-3516-24 Aluminum Rear Trigger Water Gun



**T&S BRASS AND BRONZE WORKS, INC.**



• 2 Saddleback Cove • Travelers Rest, SC 29690  
 Ph 800-476-4103 • Fax 864-834-3518  
 • Simi Valley, CA • Ph 800-423-0150 • www.tsbrass.com

Date: 07/30/19