



**T&S BRASS AND BRONZE WORKS, INC.**  
 2 Saddleback Cove / P.O. Box 1088  
 Travelers Rest, SC 29690

Model No.  
**BL-5550-30**

Item No.

Travelers Rest, SC: 800-476-4103 • Simi Valley, CA: 800-423-0150 • Fax: 864-834-3518 • www.tsbrass.com

This Space for Architect/Engineer Approval

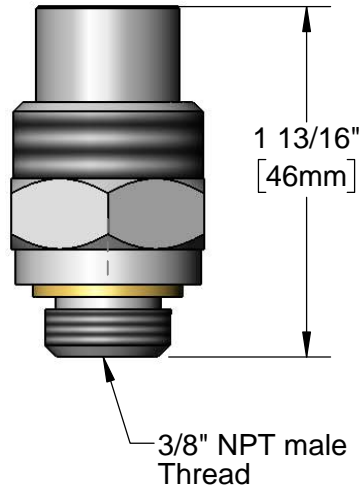
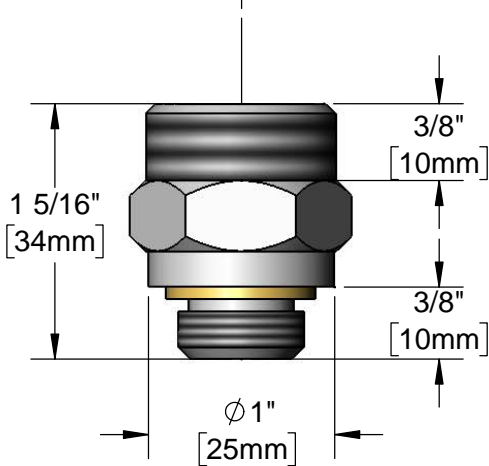
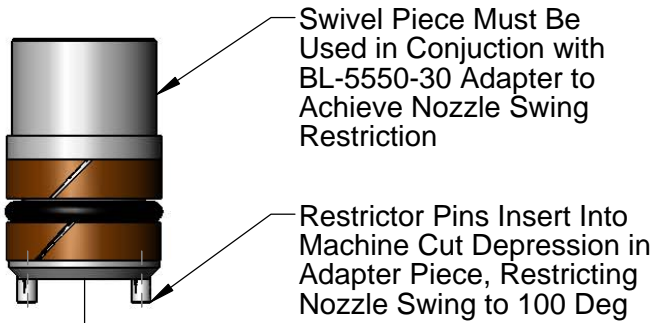
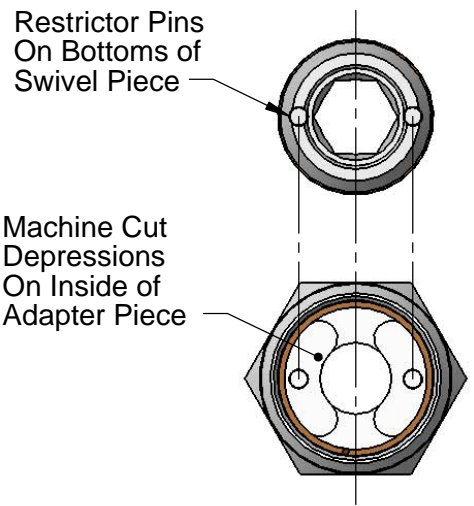
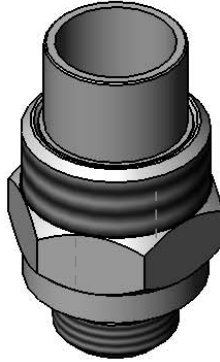
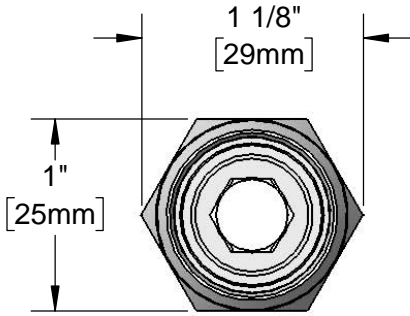
Job Name \_\_\_\_\_ Date \_\_\_\_\_

Model Specified \_\_\_\_\_ Quantity \_\_\_\_\_

Customer/Wholesaler \_\_\_\_\_

Contractor \_\_\_\_\_

Architect/Engineer \_\_\_\_\_



Product Specifications:  
 Chrome Plated Brass 1-20 UN Male x 3/8" NPT Male Rigid to Restricted Swivel Adapter and Bonnet Washer

Product Compliance:  
 NSF 61 - Section 9  
 NSF 372 (Low Lead Content)



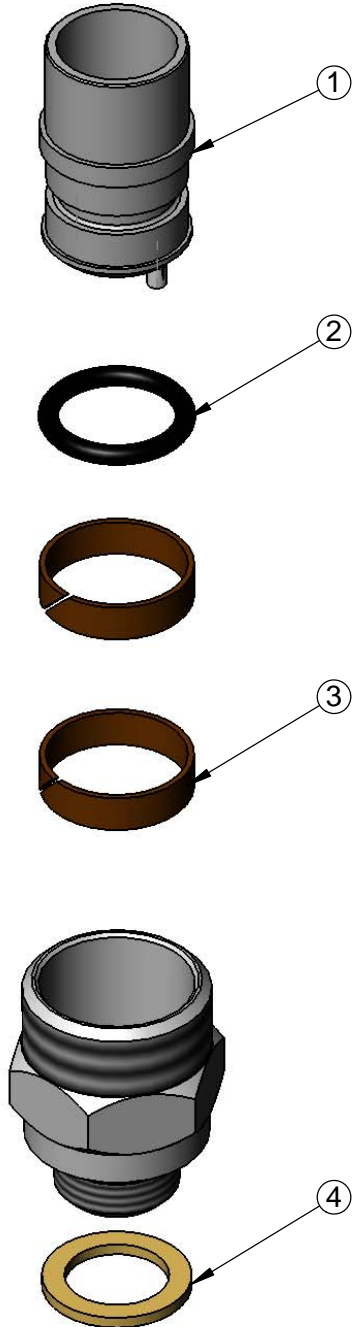
**T&S BRASS AND BRONZE WORKS, INC.**  
 2 Saddleback Cove / P.O. Box 1088  
 Travelers Rest, SC 29690

Model No.  
**BL-5550-30**

Item No.

Travelers Rest, SC: 800-476-4103 • Simi Valley, CA: 800-423-0150 • Fax: 864-834-3518 • www.tsbrass.com

ITEM NO.	SALES NO.	DESCRIPTION
1	65-016-01	Swivel Piece Assembly
2	001074-45	O-Ring
3	011429-45	Swivel Sleeves (2)
4	001043-45	Washer



Product Specifications:  
 Chrome Plated Brass 1-20 UN Male x 3/8" NPT Male Rigid to Restricted  
 Swivel Adapter and Bonnet Washer

Product Compliance:  
 NSF 61 - Section 9  
 NSF 372 (Low Lead Content)