

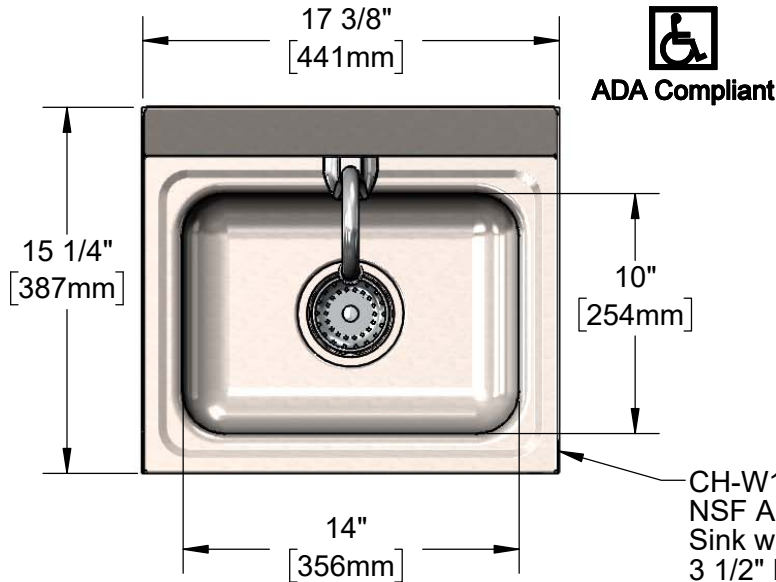


**T&S BRASS AND BRONZE WORKS, INC.**  
 2 Saddleback Cove / P.O. Box 1088  
 Travelers Rest, SC 29690

Model No.  
**CH-3101-S**

Item No.

Travelers Rest, SC: 800-476-4103 • Simi Valley, CA: 800-423-0150 • Fax: 864-834-3518 • www.tsbrass.com



This Space for Architect/Engineer Approval

Job Name \_\_\_\_\_ Date \_\_\_\_\_

Model Specified \_\_\_\_\_ Quantity \_\_\_\_\_

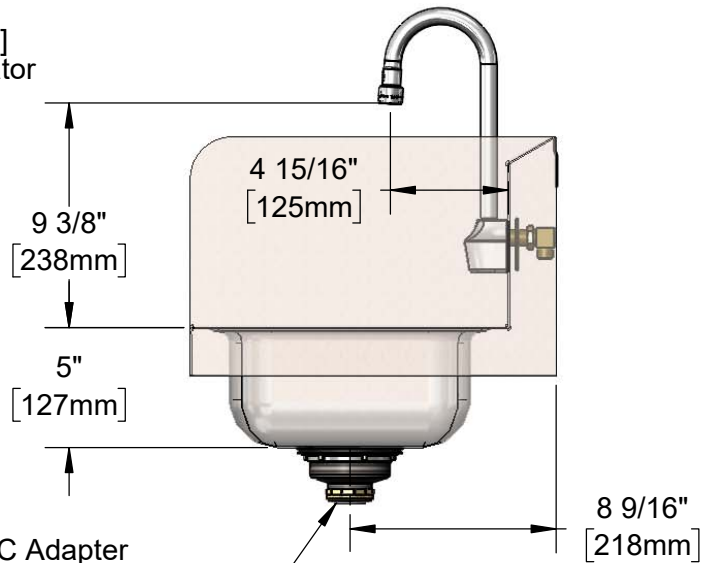
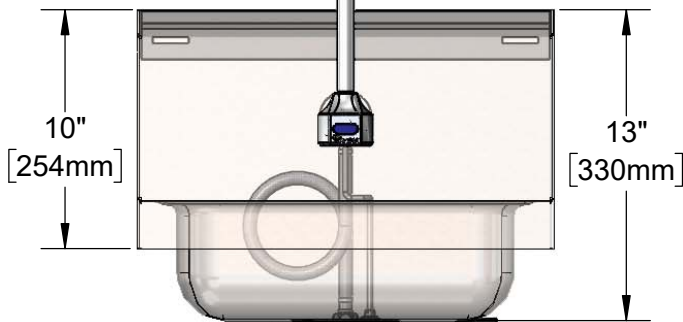
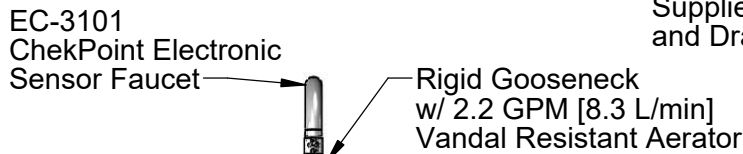
Customer/Wholesaler \_\_\_\_\_

Contractor \_\_\_\_\_

Architect/Engineer \_\_\_\_\_



**CH-W1715-S**  
 NSF Approved Stainless Steel Sink with Side Splash Shields and 3 1/2" Drain Hole.  
 Supplied with Mounting Bracket and Drain Assembly w/ Basket Strainer



Removable Strainer

100-240 VAC Adapter w/ 71" [1800mm] Power Cord. (Remove Rubber Plugs on Module and Cable to Connect)

Drain Assembly Adapts to  $\phi$  1 1/2" Tailpiece

Temperature Mixing Valve w/ Integral Check Valves

(2) 3/8" Compression x 1/2" NPSM 18" [457mm] Flexible Stainless Steel Supply Hose

**Product Specifications:**

Hand Wash Sink / Elec. Sensor Faucet, Stainless Steel Sink / Backsplash, Side Splash Shields, 3 1/2" Drain Assembly, Model EC-3101 ChekPoint Electronic Sensor Faucet, Rigid GN w/ VR Aerator, AC/DC Control Module, Temp. Control Mixing Valve, 18" Flexible Supply Hoses

**Product Compliance:**

ASME A112.18.1 / CSA B125.1  
 ASME A112.19.3 / CSA B45.4  
 NSF 61 - Section 9  
 NSF 372 (Low Lead Content)  
 UL 1951  
 ANSI A117.1 (ADA)  
 NSF 2 (Sink)

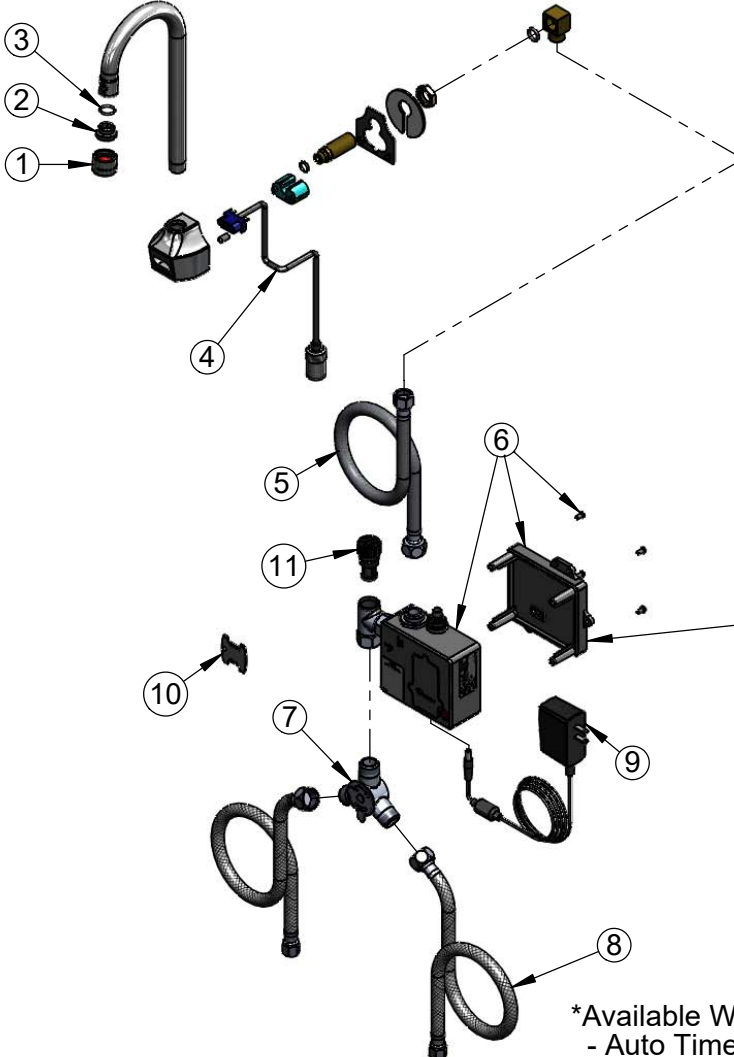


**T&S BRASS AND BRONZE WORKS, INC.**  
 2 Saddleback Cove / P.O. Box 1088  
 Travelers Rest, SC 29690

Model No.  
**CH-3101-S**

Item No.

Travelers Rest, SC: 800-476-4103 • Simi Valley, CA: 800-423-0150 • Fax: 864-834-3518 • www.tsbrass.com



ITEM NO.	SALES NO.	DESCRIPTION
1	B-0199-06	VR 2.2 GPM Aerator, 55/64-27 Female
2	044A	3/8" to Aerator Adapter
3	006575-45	-015 O-Ring
4	017195-45	Angled Sensor w/ Cable
5	016325-45	Inlet Hose, Faucet, 1/2" NPSM-F x 3/8" NPSM-F
6	016647-45	ChekPoint Module (Grey)
7	5EF-0006	Mechanical Mixing Valve
8	5EF-0005	Supply Hose, 9/16-24 Female x 1/2" NPSM
9	5EF-0002	A/C Transformer
10	015425-45	Vandal Resistant Key
11	EC-FILTER	Replacement Filter
12	CH-W1715-S	17" x 15" Sink w/ Side Splash Shields and Drain Asm

Label for Flow Control Switch Settings is Located on Inside of Back Cover.

Flow Control Switches are Located Inside Module Housing in Black Box Next to Battery Compartment.

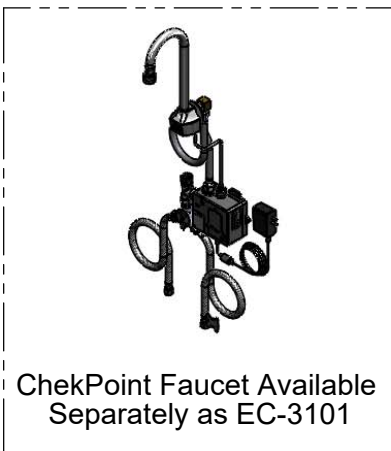
\*Switches are Set to DEFAULT Position:

- Auto Time Out = 15 Seconds
- Shut Off Delay = 1 Second
- Auto Flush = OFF

Remove (4) Screws and Back Cover to Access Switches.

\*Available Water Flow Control Selections:

- Auto Time Out: 15 sec, 30 sec, 45 sec, 60 sec, 3 min, 20 min
- Shut Off Delay: 1 sec, 10 sec, 15 sec, 30 sec
- Auto Flush (30 Seconds After Every 12 Inactive Hours): ON or OFF



**Product Specifications:**  
 Hand Wash Sink / Elec. Sensor Faucet, Stainless Steel Sink / Backsplash, Side Splash Shields, 3 1/2" Drain Assembly, Model EC-3101 ChekPoint Electronic Sensor Faucet, Rigid GN w/ VR Aerator, AC/DC Control Module, Temp. Control Mixing Valve, 18" Flexible Supply Hoses

**Product Compliance:**  
 ASME A112.18.1 / CSA B125.1  
 ASME A112.19.3 / CSA B45.4  
 NSF 61 - Section 9  
 NSF 372 (Low Lead Content)  
 UL 1951  
 ANSI A117.1 (ADA)  
 NSF 2 (Sink)