



**T&S BRASS AND BRONZE WORKS, INC.**  
 2 Saddleback Cove / P.O. Box 1088  
 Travelers Rest, SC 29690

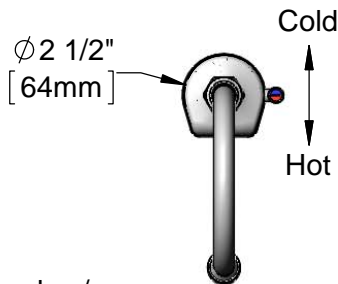
Model No.  
**EC-3130-VF05**

Item No.

Travelers Rest, SC: 800-476-4103 • Simi Valley, CA: 800-423-0150 • Fax: 864-834-3518 • www.tsbrass.com



**ADA Compliant**



This Space for Architect/Engineer Approval

Job Name \_\_\_\_\_ Date \_\_\_\_\_

Model Specified \_\_\_\_\_ Quantity \_\_\_\_\_

Customer/Wholesaler \_\_\_\_\_

Contractor \_\_\_\_\_

Architect/Engineer \_\_\_\_\_

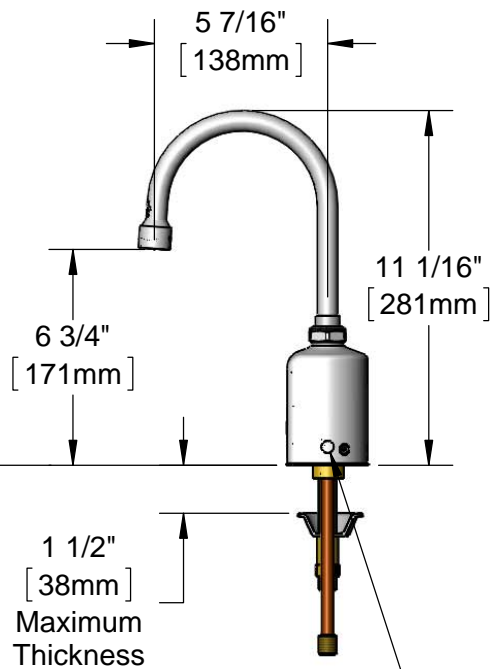
Swivel Gooseneck w/  
 B-0199-06-N05  
 0.5 GPM VR Non-Aerated  
 Spray Device. Rigid  
 Conversion Requires  
 014200-45 Lock Washer  
 (Included)

Internal Above Deck  
 Electronics w/ Flow  
 Control Setting Switches.  
 Powered w/ 6 VDC  
 Lithium Battery.

Removable  
 Anti-Rotation Pin

Temperature Mixing Handle  
 w/ Color Coded Index  
 (Optional Plug Included to  
 Replace Handle When  
 Temperature is Preset)

Mounting Surface



13/16"  
 [21mm]

19" [483mm] Flexible  
 Stainless Steel Supply  
 Hoses

1 1/2"  
 [38mm]  
 Maximum  
 Thickness

Shown w/ Optional  
 Plug Installed When  
 Water Temperature  
 is Preset (Included)

Optional 100-240 VAC  
 Adapter w/ 71" [1800mm]  
 Power Cord

1/2" NPSM Swivel Ends  
 w/ Filter Washers

Check Valve Adapters  
 w/ 3/8" Compression  
 (9/16"-24 UN) Inlets

Rough-In Requirement:  
 $\phi$  1 1/4" [32mm] Mounting Hole  
 $\phi$  3/16" [5mm] Anti-Rotation Pin Hole (Optional)

**Product Specifications:**

Chrome Plated Brass Above Deck Electronics Faucet, Single Hole Deck Mount, Swivel Gooseneck w/ VR 0.5 GPM VR Spray Device, Point-of-Use Temperature Control, Battery or AC Adapter Powered, 19" Flexible Stainless Steel Supply Hose w/ 3/8" Compression Fittings

**Product Compliance:**

ASME A112.18.1 / CSA B125.1  
 NSF 61 - Section 9  
 NSF 372 (Low Lead Content)  
 ANSI A117.1 (ADA)  
 UL 1951



# T&S BRASS AND BRONZE WORKS, INC.

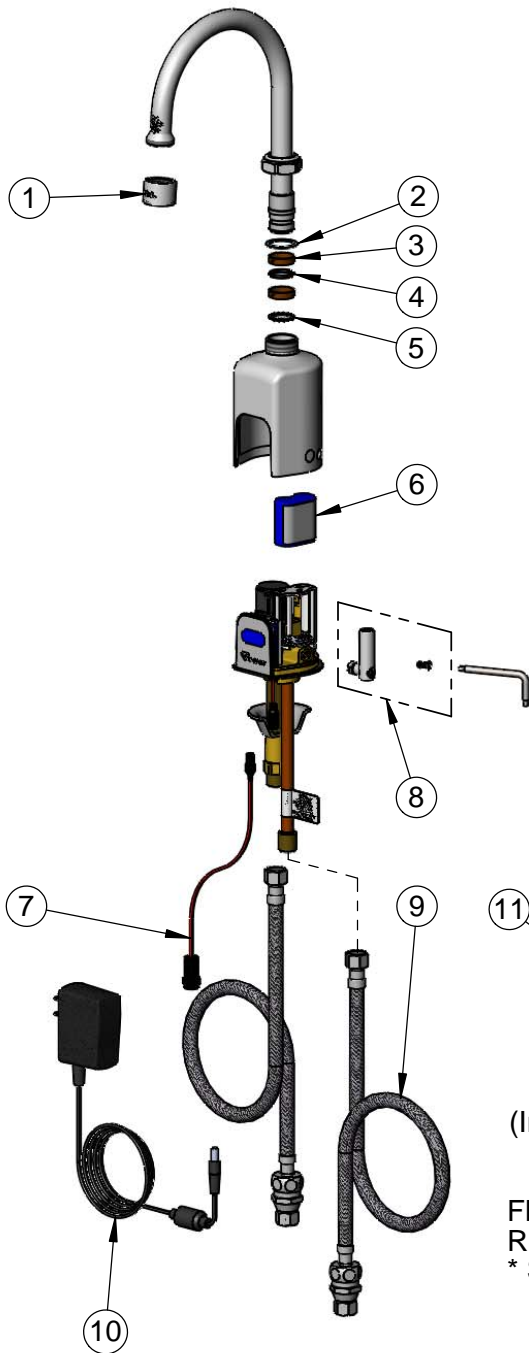
2 Saddleback Cove / P.O. Box 1088  
Travelers Rest, SC 29690

Model No.

**EC-3130-VF05**

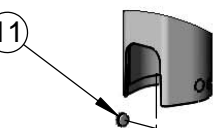
Item No.

Travelers Rest, SC: 800-476-4103 • Simi Valley, CA: 800-423-0150 • Fax: 864-834-3518 • www.tsbrass.com



ITEM NO.	SALES NO.	DESCRIPTION
1	B-0199-06-N05	VR 0.5 GPM Non-Aerated Spray Device, 55/64-27 UN Female w/ Key
2	009538-45	Swivel Washer
3	011429-45	Swivel Sleeves (2)
4	001074-45	O-Ring
5	014200-45	Star Washer, Anti-Rotation
6	019087-45	6VDC Lithium Battery, CR-P2
7	019088-45	Auxiliary Power Connector Cable
8	019082-45	Lever & Body Screw Kit w/ L-Key
9	018544-45	19" Flexible Stainless Steel Hose w/ Check Valve Adapter
10	5EF-0002	A/C Transformer
11	019086-45	Body Plug, Pre-Set Temperature

A maximum of (8) ChekPoint faucets can be powered by EC-HARDWIRE ChekPoint Hardwire AC Transformer when connected using EC-ADEWIRE cables. (Both sold separately)



Optional Plug Replaces Lever Handle When Pre-setting Temperature (Installs from Inside of Body)



015425-45  
VR Aerator Key



018543-45  
Torx T-20 VR L-Key

Flow Control Switches are Located Behind the Sensor. Remove Battery to Access Switches.

\* Switches are set to DEFAULT position:

- Auto Time Out = 15 seconds
- Shut Off Delay = 1 second
- Auto Flush = OFF

\* Available Water Flow Control Selections:

- Auto Time Out: 15 sec, 30 sec, 45 sec, 60 sec, 3 min, 20 min
- Shut Off Delay: 1 sec, 10 sec, 15 sec, 30 sec
- Auto Flush (30 Seconds After Every 12 Inactive Hours): ON or OFF

**Product Specifications:**

Chrome Plated Brass Above Deck Electronics Faucet, Single Hole Deck Mount, Swivel Gooseneck w/ VR 0.5 GPM VR Spray Device, Point-of-Use Temperature Control, Battery or AC Adapter Powered, 19" Flexible Stainless Steel Supply Hose w/ 3/8" Compression Fittings

**Product Compliance:**

ASME A112.18.1 / CSA B125.1  
NSF 61 - Section 9  
NSF 372 (Low Lead Content)  
ANSI A117.1 (ADA)  
UL 1951