



T&S BRASS AND BRONZE WORKS, INC.

2 Saddleback Cove / P.O. Box 1088
Travelers Rest, SC 29690

Model No.

PB-8WOSN06PZLUA

Item No.

Travelers Rest, SC: 800-476-4103 • Simi Valley, CA: 800-423-0150 • Fax: 864-834-3518 • www.tsbrass.com

This Space for Architect/Engineer Approval

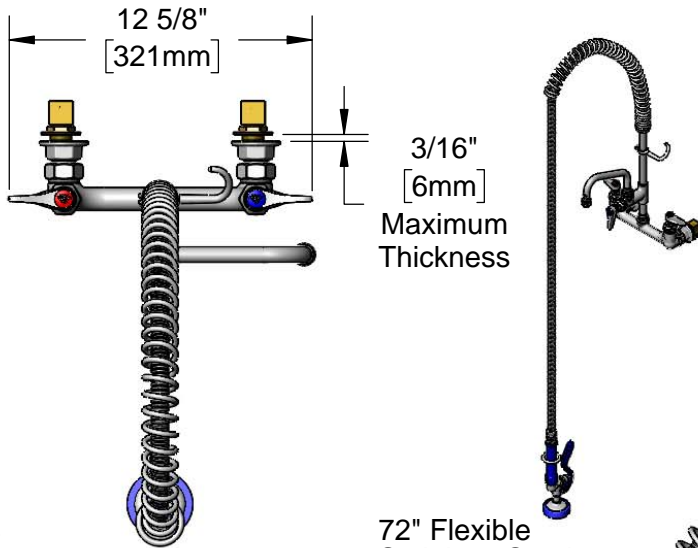
Job Name _____ Date _____

Model Specified _____ Quantity _____

Customer/Wholesaler _____

Contractor _____

Architect/Engineer _____



Items Not Shown for Clarity

Finger Hook

3/8" NPT x 8" Riser

EasyInstall Lock Nut & Bushing

3 11/16" [94mm]

8" [203mm]

Adjustable From 7 3/4" to 8 1/4" [197mm to 210mm]

72" Flexible Stainless Steel Hose w/ Spring & Spray Valve

6" [153mm]

9 13/16" [249mm]

6 11/16" [170mm]

Quarter-Turn Eterna Cartridges w/ Spring Checks & Lever Handles w/ Color Coded Indexes

2 5/16" [59mm]

EasyInstall Add-On Faucet w/ Quarter-Turn Eterna Cartridges & Lever Handle

27 9/16" [700mm]

EB-0107 High Flow Spray Valve

B-0230-K Installation Kit w/ 1/2" NPT Male Inlets

29 15/16" [761mm]

12 11/16" [323mm]

Product Specifications:

Pre-Rinse Unit: EasyInstall 8" Wall Mount Mixing Faucet, Quarter-Turn Eterna Cartridges w/ Spring Checks, Lever Handles, Add-On Faucet w/ 6" Swing Nozzle, Compact Spring, 72" Flexible Stainless Steel Hose, High Flow Angled Spray Valve (Blue) & Installation Kit w/ 1/2" NPT Male Inlets

Product Compliance:

ASME A112.18.1 / CSA B125.1
NSF 61 Exempt (Non-Potable)
NSF 372 (Low Lead Content)
EPA 2005 Non-Compliant (PRSV)



T&S BRASS AND BRONZE WORKS, INC.

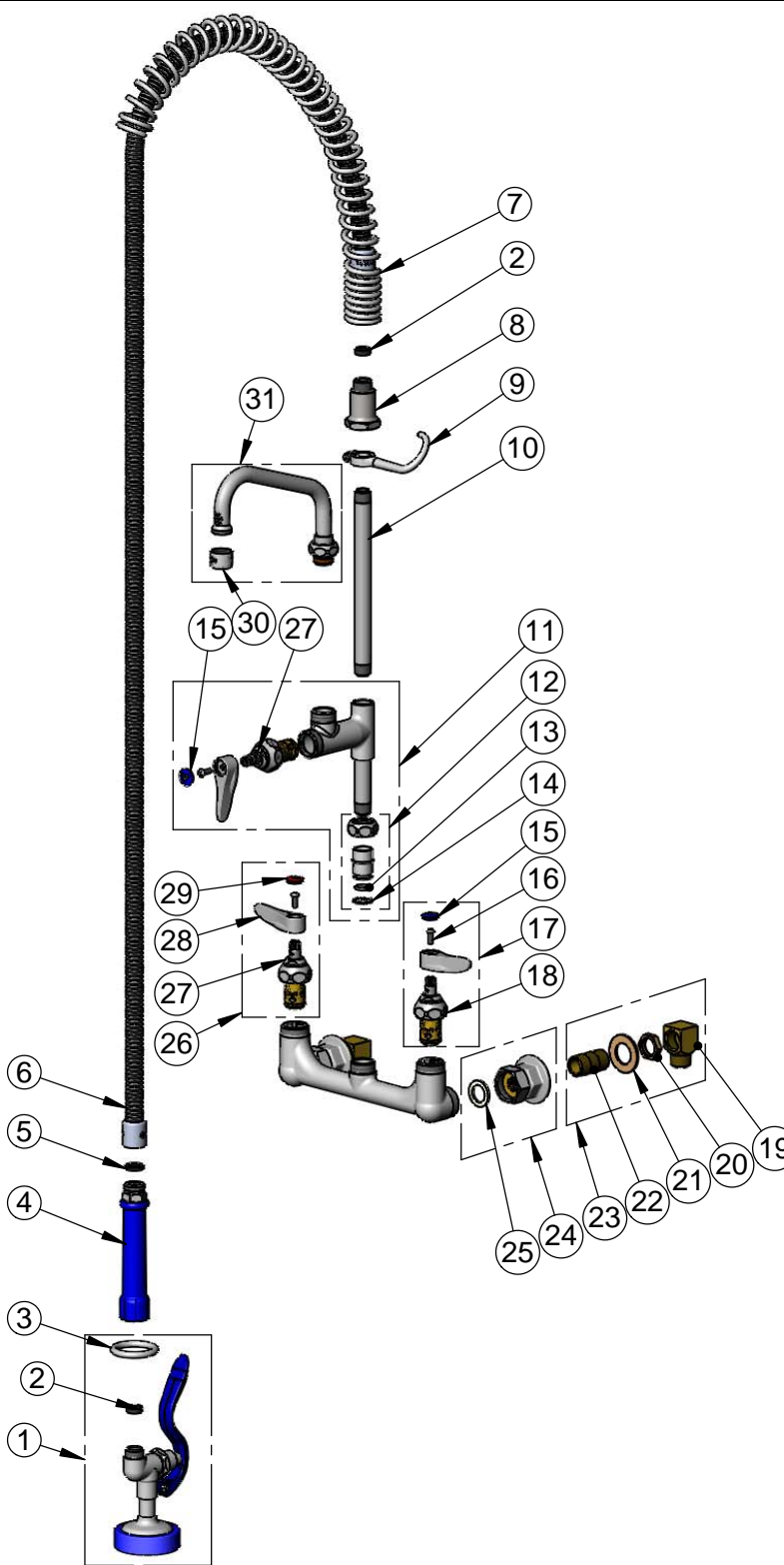
2 Saddleback Cove / P.O. Box 1088
Travelers Rest, SC 29690

Model No.

PB-8WOSN06PZLUA

Item No.

Travelers Rest, SC: 800-476-4103 • Simi Valley, CA: 800-423-0150 • Fax: 864-834-3518 • www.tsbrass.com



ITEM NO.	SALES NO.	DESCRIPTION
1	EB-0107	High Flow Spray Valve
2	010476-45	#27 Washer
3	000907-45	Spray Valve Hold Down Ring
4	011482-45	Blue Grip Handle
5	001014-45	Washer, B-0100 Hose Barrel
6	B-0072-H2A	72" Flexible Stainless Steel Hose, Less Handle
7	000888-45	EasyInstall Overhead Spring
8	000821-40	Spring Body
9	004R	Finger Hook
10	000366-40	Nipple, 3/8" NPT x 8"
11	B-0155-LNEZ	EasyInstall Add-On Faucet w/ Quarter-Turn Eterna Cartridge & Lever Handle, Less Nozzle
12	EZ-K	EasyInstall Kit: Nut, Bushing, O-Ring & Lock Washer
13	001065-45	O-Ring
14	014200-45	Star Washer, Anti-Rotation
15	018506-19NS	Blue Button Index, Press-in
16	000925-45	Lab Handle Screw
17	002711-40NS	Quarter-Turn Eterna Cartridge, LTC w/ Spring Check, Handle, Index & Screw
18	012442-40NS	Quarter-Turn Eterna Cartridge, LTC w/ Spring Check
19	B-1100-K	1/2" NPT Male Inlet Elbow
20	002954-45	Shank Lock Nut
21	000999-45	Brass Lock Washer
22	013357-20	1/2" NPT x 1 5/8" Close Nipple
23	B-0230-K	Short Elbow Installation Kit
24	00AA	1/2" NPT Female Eccentric Flange
25	001019-45	Coupling Nut Washer
26	002712-40NS	Quarter-Turn Eterna Cartridge, RTC w/ Spring Check, Handle, Index & Screw
27	012443-40NS	Quarter-Turn Eterna Cartridge, RTC w/ Spring Check
28	001638-45NS	Lever Handle (New Style)
29	001193-19NS	Red Button Index, Press-in
30	B-PT	Full Flow Stream Regulator, 55/64-27
31	059X	6" Swing Nozzle w/ Stream Regulator Outlet

Product Specifications:

Pre-Rinse Unit: EasyInstall 8" Wall Mount Mixing Faucet, Quarter-Turn Eterna Cartridges w/ Spring Checks, Lever Handles, Add-On Faucet w/ 6" Swing Nozzle, Compact Spring, 72" Flexible Stainless Steel Hose, High Flow Angled Spray Valve (Blue) & Installation Kit w/ 1/2" NPT Male Inlets

Product Compliance:

ASME A112.18.1 / CSA B125.1
NSF 61 Exempt (Non-Potable)
NSF 372 (Low Lead Content)
EPA 2005 Non-Compliant (PRSV)