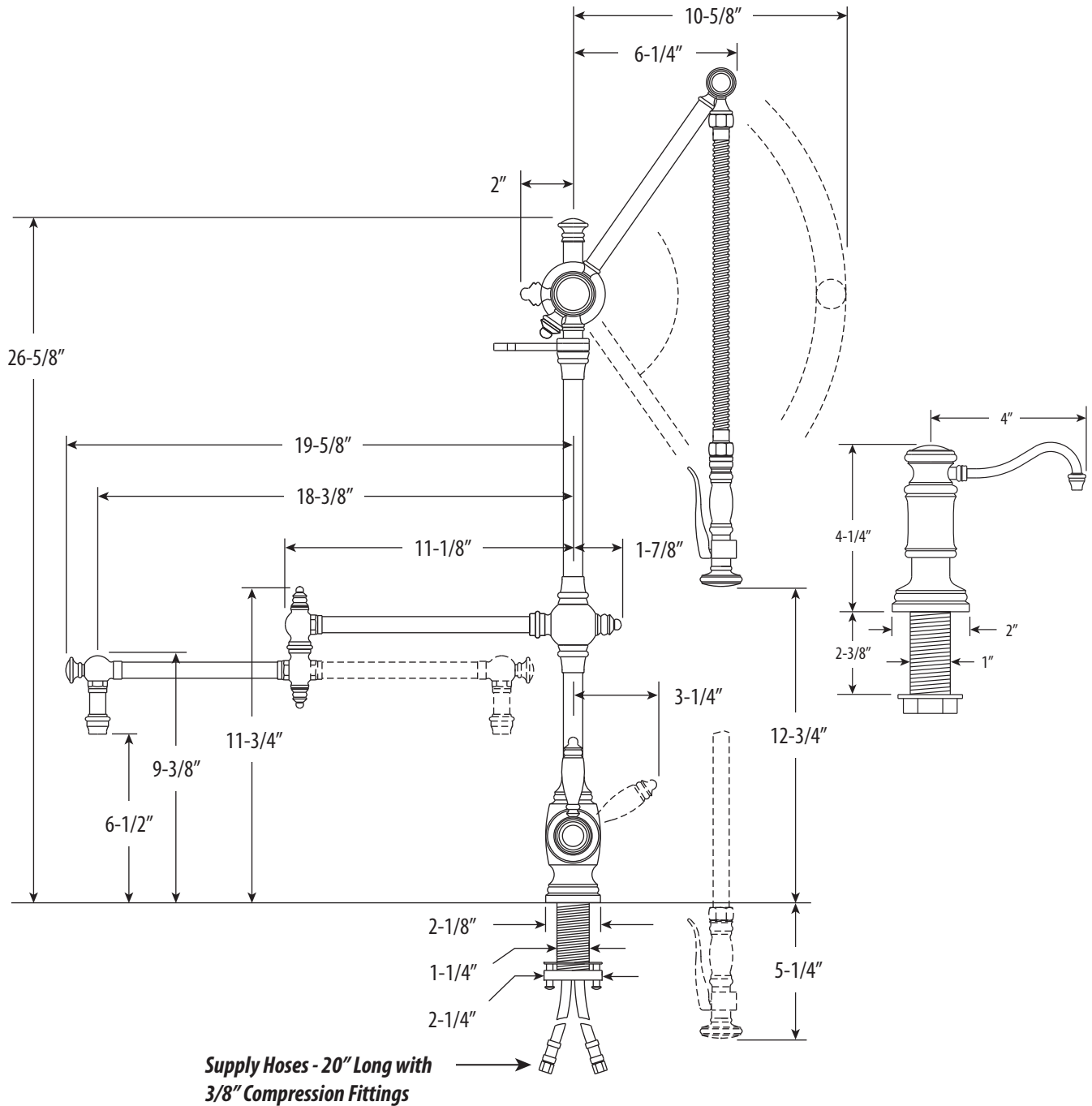


## TRADITIONAL GANTRY FAUCET / 18" ARTICULATED SPOUT / 2PC. SUITE

# 4410-18-2

- Max Counter Thickness 2-3/8"
- Minimum Install Hole Size 1-3/8"



**ECO BRASS**  
HIGH PERFORMANCE LEAD FREE BRASS

DIMENSIONS MAY VARY AND ARE SUBJECT TO CHANGE. NO RESPONSIBILITY IS ASSUMED FOR USE OF SUPERCEDED OR VOIDED DATA